

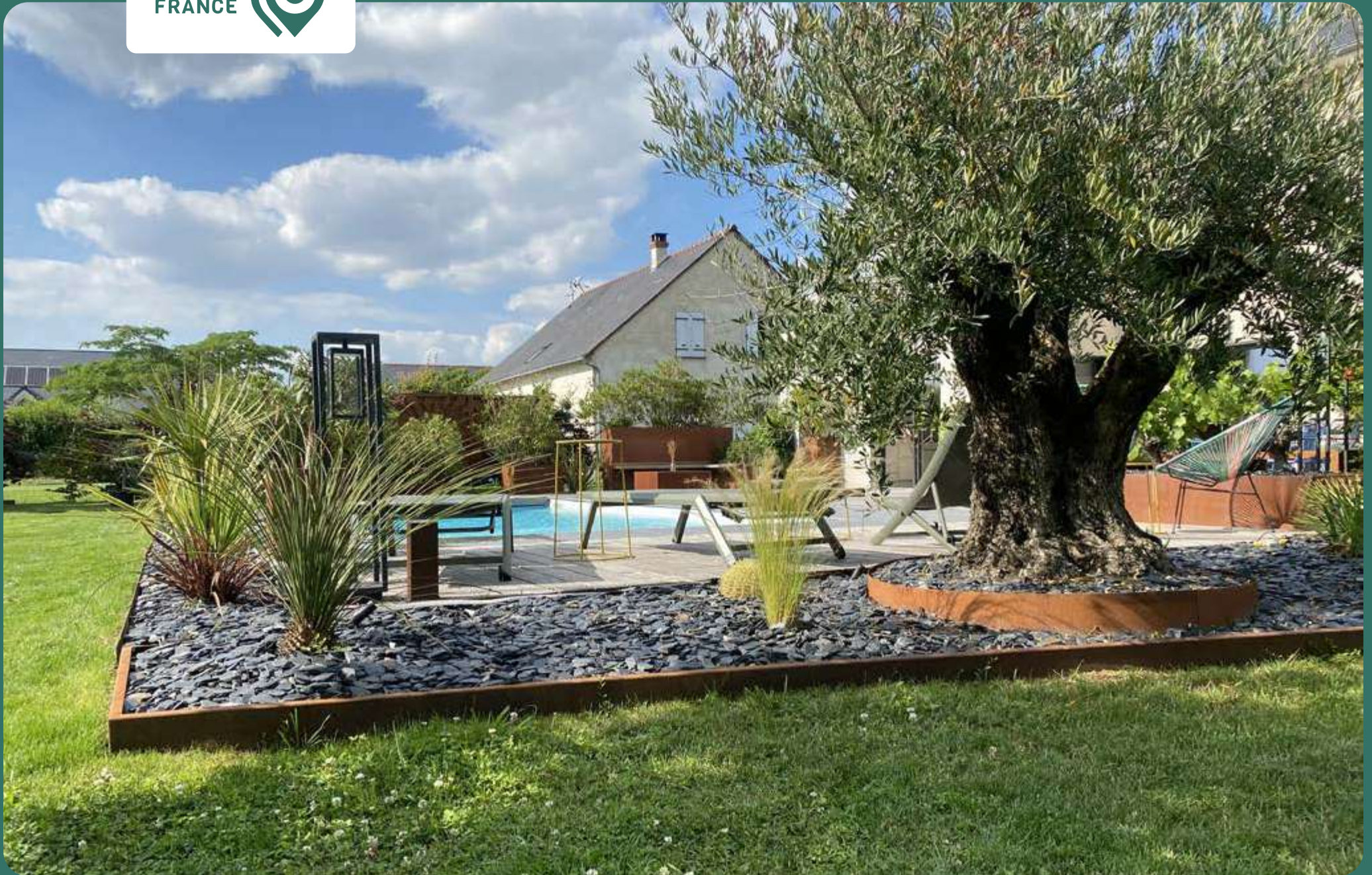
A large, stylized graphic of a leaf or plant branch, rendered in a light teal color, positioned on the left side of the page. It features several pointed, overlapping leaf shapes.

atech

Jardin

Outdoor living space

MADE IN
FRANCE





INSPIRATION

MATERIALS

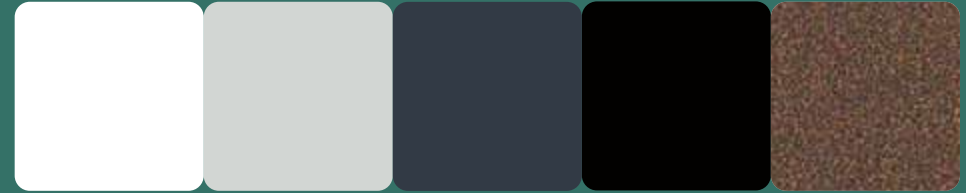
ALUMINIUM

Aluminium is a light material with a good resistance to corrosion. It is also very malleable, which makes it ideal for folding or all kinds of creativity. It is available in the finishes **raw** or **powder-coated**.

Raw



Powder-coated



Standard colours : RAL 9010 – RAL 7016 – RAL 7035 – RAL 9005 – Mars 2525
Other colours on demand : RAL or Akzonobel color chart
Finishes : glossy – matte – grainy
Density : 2700 kg/m³

STEEL

Steel is an alloy that contains iron and carbon. It is primarily known for being highly robust. It must be treated before a finish is applied. It is available in the finishes **hot-dip galvanised** or with anti-corrosion treatment and **powder-coated**.

Hot-dip galvanised



Anti-corrosion treatment and powder-coated

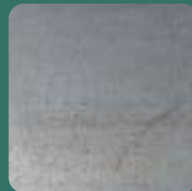


Standard colours : RAL 9010 – RAL 7016 – RAL 7035 – RAL 9005 – Mars 2525
Other colours on demand : RAL or Akzonobel color chart
Finishes : glossy – matte – grainy
Density : 7800 kg/m³

CORTEN STEEL

Corten steel is a natural material that covers itself with a protective layer called « patina » which tints itself of evolving brown shades over a period of 18 months. All throughout the process, color changes occur according to the light and the temperature. It is available in the finishes **raw** or **sanded and activated** (shortbread or matt).

Raw



Sanded and activated



Corten steel evolution during activation. Living matter : non-contractual visuals.
Density : 7800 kg/m³

WOOD



Robinia
Untreated
Density : 750 kg/m³
Origin : UE
Certification : PEFC



Larch
Untreated
Density : 600 kg/m³
Origin : UE
Certification : PEFC



Moabi
Untreated
Density : 870 kg/m³
Origin : Africa
Certification : FSC



Bamboo
Treated
Density : 1150 kg/m³
Origin : Asia
Certification : FSC

Saturator, wood stain and paint in option

RECYCLED PLASTIC



Colours : grey or brown
Density : 1000 kg/m³
Origin : Belgium



Colours : spotted white
Density : 1000 kg/m³
Origin : France





PRODUCT

FRENCH KNOW-HOW

With nearly forty years of experience in the greenery sector through ATECH, discover **ATECH Jardin**, designed specifically for landscaping professionals.

Our industrial tool enable us to offer **standard products** made from a variety of materials to suit your outdoor design needs. All our products are **made in France**.

And to meet your specific needs, our design office is at your disposal for **bespoke products**.

Edge .8

Kerb .14

Panel planter .24

Welded planter .30

Recyclable plastic pot .36

Art trellis .42

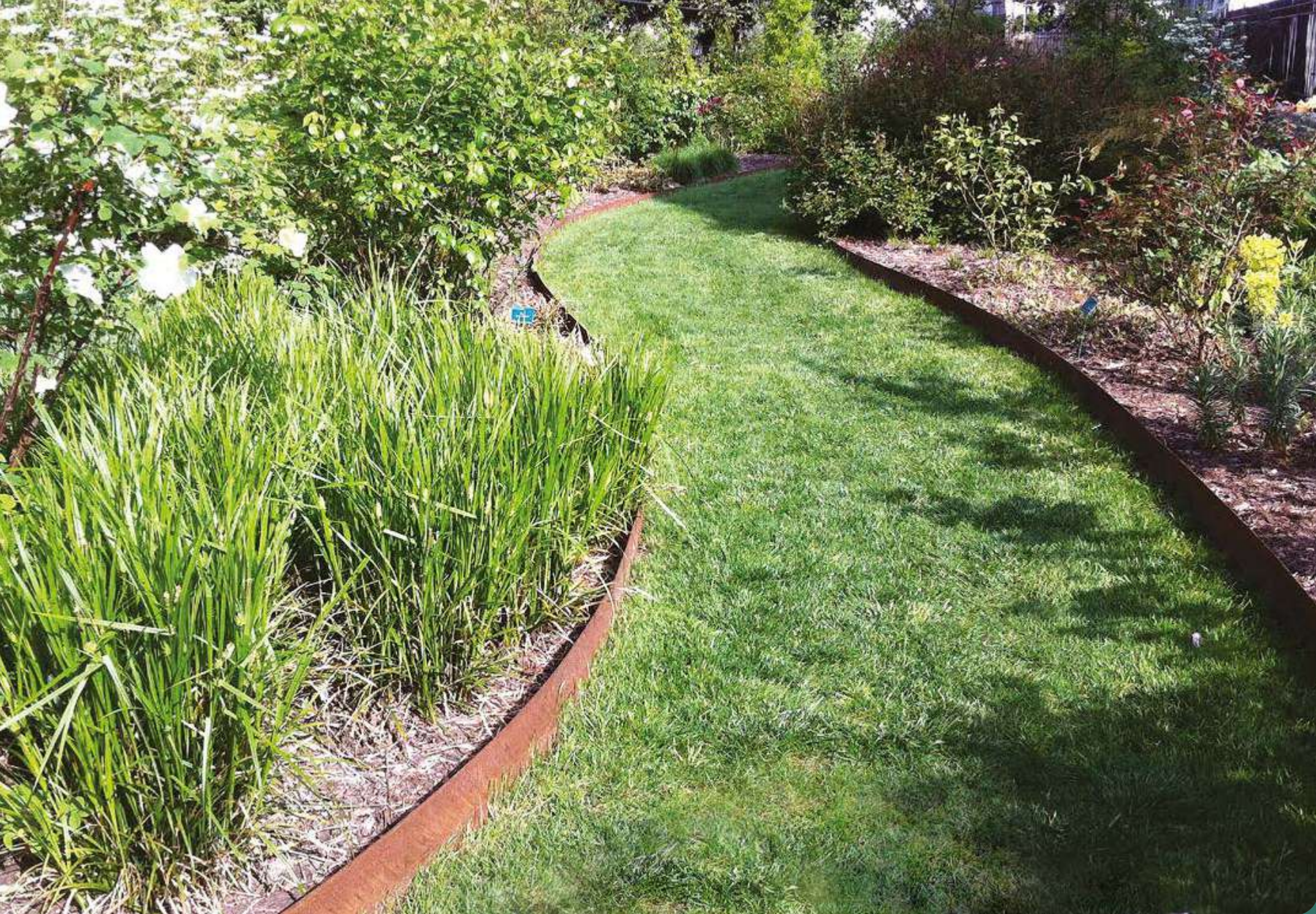
Stairs .44

Wall .46

Water table .48

Design furniture.50





EDGE



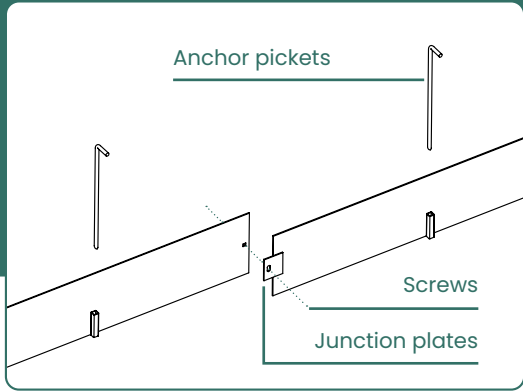
Raw aluminium

Hot-dip galvanised steel

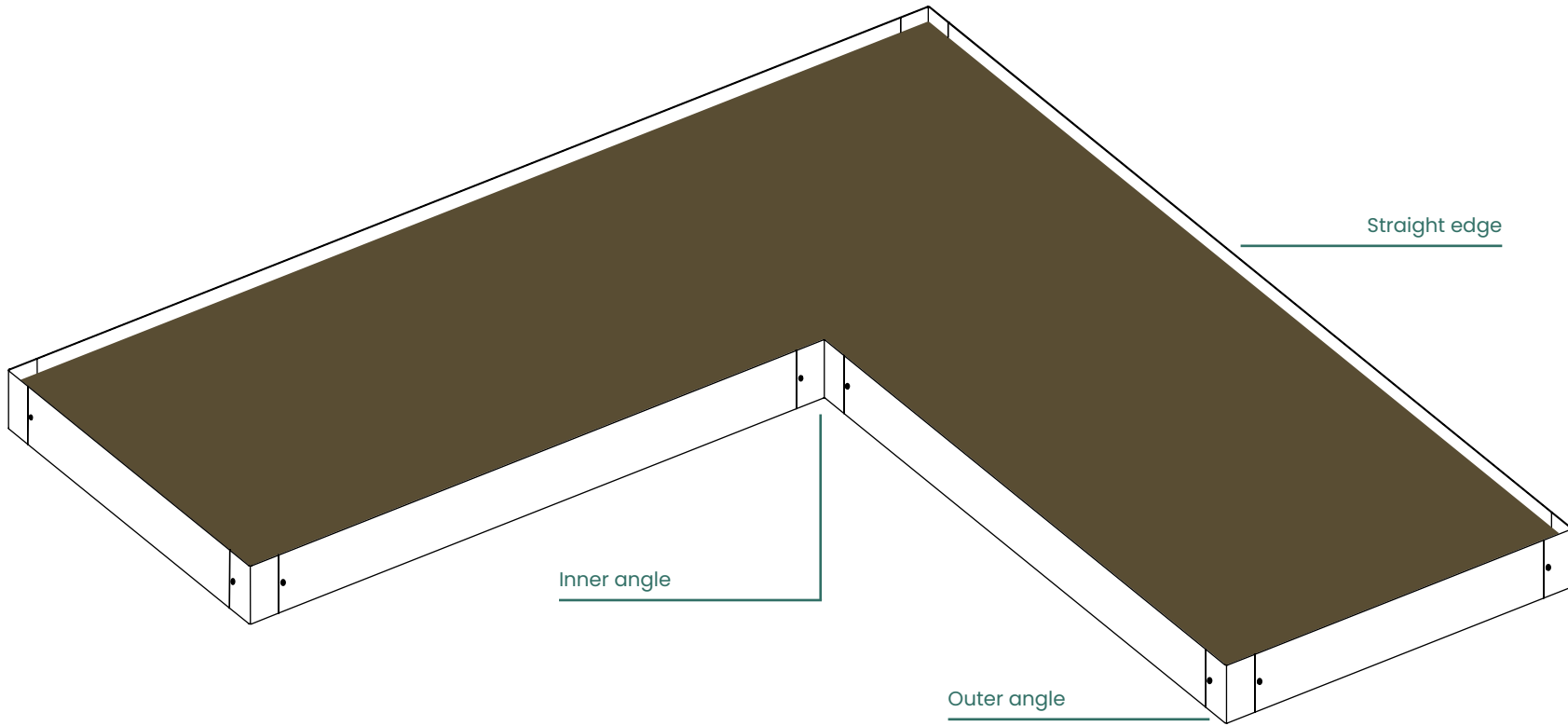
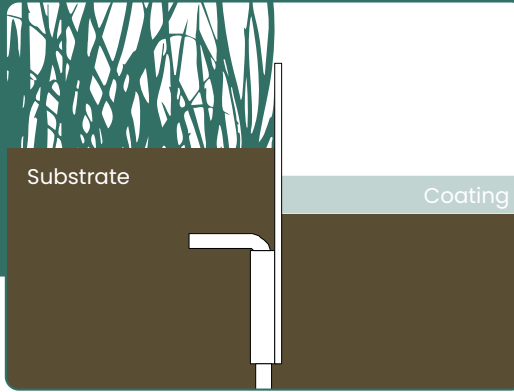
Raw corten steel

TECHNICAL SHEET - EDGE

ASSEMBLY



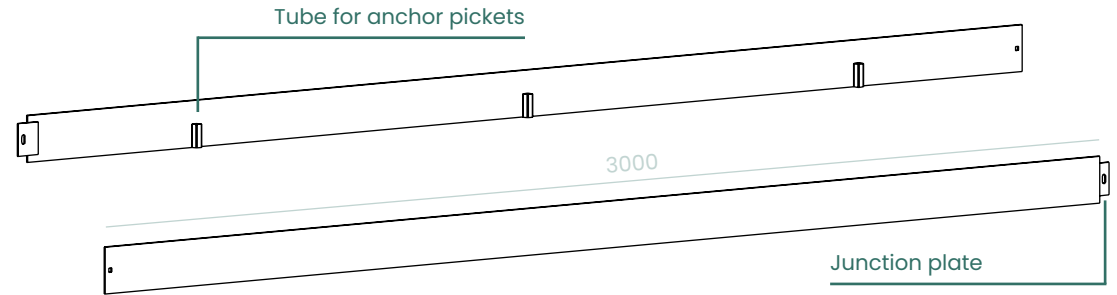
INSTALLATION



EXAMPLE OF A DESIGN

STRAIGHT EDGE

Standard length 3000 mm. Assembled using welded junction plates and visible pan-head screws. To be fixed to the ground using 3 anchors pickets. Sets provided.



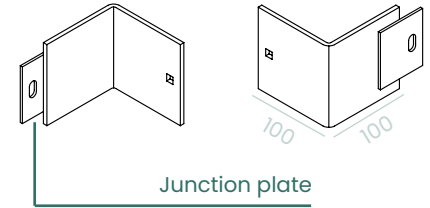
Height	Thickness	Raw aluminium	Hot-dip galvanised steel	Raw corten steel
100	3	0272608	0201655	0201656
	5	0293235	0201658	0201657
	8	0298557	0298787	0298791
	10	0298558	0298559	0298796
150	3	0272609	0201662	0201661
	5	0293236	0201664	0201663
	8	0298560	0294843	0298792
	10	0298561	0298562	0298563
200	3	0265579	0265452	0201667
	5	0293245	0201668	0287246
	8	0298564	0298788	0298793
	10	0298565	0298566	0298567
250	3	0293249	0293232	0265409
	5	0224040	0293233	0287629
	8	0298568	0298789	0298794
	10	0298569	0298570	0298571
300	3	0265583	0265560	0201671
	5	0224041	0293234	0247758
	8	0298572	0298790	0298795
	10	0298573	0298574	0298575

INNER ANGLE

90°
ANGLE

BESPOKE
ANGLE

Standard length 100 x 100 mm. Assembled using welded junction plates and visible pan-head screws. To be fixed to the ground using 3 anchors pickets. Sets provided.



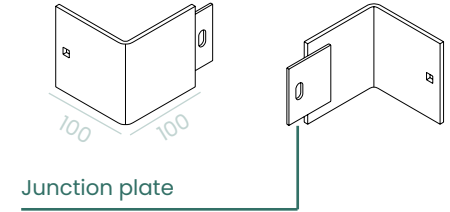
Height	Thickness	Raw aluminium		Hot-dip galvanised steel		Raw corten steel	
100	3	0225035	0298921	0281954	0298941	0259894	0298961
	5	0266947	0298922	0281979	0298942	0267464	0298962
	8	0298606	0298923	0298608	0298943	0298610	0298963
	10	0298607	0298924	0298609	0298944	0298611	0298964
150	3	0277054	0298925	0281983	0298945	0263204	0298965
	5	0293715	0298926	0267467	0298946	0267467	0298966
	8	0298612	0298927	0298614	0298947	0298616	0298967
	10	0298613	0298928	0298615	0298948	0298617	0298968
200	3	0276816	0298929	0264175	0298949	0264310	0298969
	5	0293721	0298930	0281987	0298950	0225007	0298970
	8	0298618	0298931	0298620	0298951	0298622	0298971
	10	0298619	0298932	0298621	0298952	0298623	0298972
250	3	0293696	0298933	0281974	0298953	0265850	0298973
	5	0293762	0298934	0281991	0298954	0281946	0298974
	8	0298624	0298935	0298626	0298955	0298628	0298975
	10	0298625	0298936	0298627	0298956	0298629	0298976
300	3	0293702	0298937	0264176	0298957	0259199	0298977
	5	0293766	0298938	0293666	0298958	0281950	0298978
	8	0298630	0298939	0298632	0298959	0298634	0298979
	10	0298631	0298940	0298633	0298960	0298635	0298980

OUTER ANGLE

90°
ANGLE

BESPOKE
ANGLE

Standard length 100 x 100 mm. Assembled using welded junction plates and visible pan-head screws. To be fixed to the ground using 3 anchors pickets. Sets provided.



Height	Thickness	Raw aluminium		Hot-dip galvanised steel		Raw corten steel	
100	3	0272576	0298861	0265096	0298881	0248834	0298901
	5	0225045	0298862	0225020	0298882	0267479	0298902
	8	0298576	0298863	0298578	0298883	0298580	0298903
	10	0298577	0298864	0298579	0298884	0298581	0298904
150	3	0225036	0298865	0225021	0298885	0258783	0298905
	5	0293718	0298866	0267482	0298886	0267482	0298906
	8	0298582	0298867	0298584	0298887	0298586	0298907
	10	0298583	0298868	0298585	0298888	0298587	0298908
200	3	0275783	0298869	0225017	0298889	0248835	0298909
	5	0293752	0298870	0225022	0298890	0267485	0298910
	8	0298588	0298871	0298590	0298891	0298592	0298911
	10	0298589	0298872	0298591	0298892	0298593	0298912
250	3	0293699	0298873	0225018	0298893	0265849	0298913
	5	0293757	0298874	0225023	0298894	0225008	0298914
	8	0298594	0298875	0298596	0298895	0298598	0298915
	10	0298595	0298876	0298597	0298896	0298599	0298916
300	3	0293705	0298877	0264174	0298897	0258782	0298917
	5	0293773	0298878	0293670	0298898	0267491	0298918
	8	0298600	0298879	0298602	0298899	0298604	0298919
	10	0298601	0298880	0298603	0298900	0298605	0298920



KERB



Raw aluminium



Powder-coated aluminium



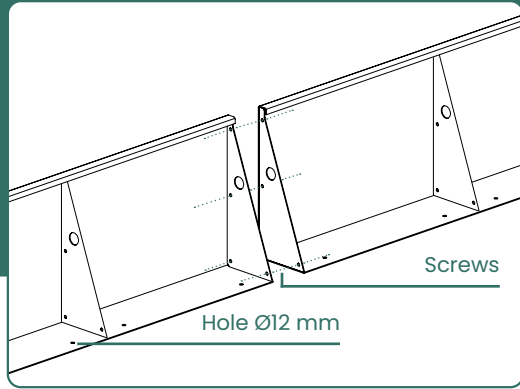
Raw corten steel



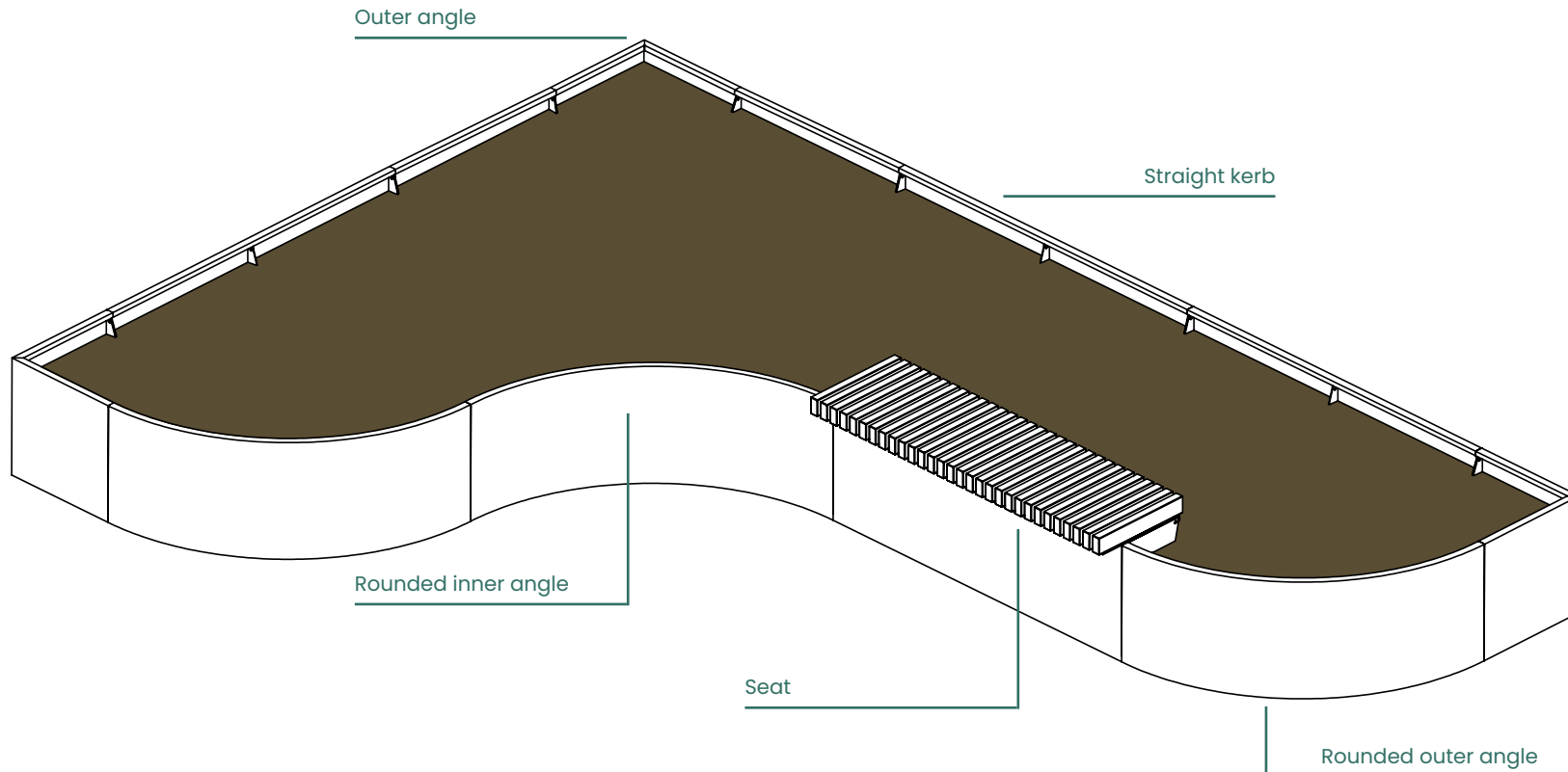
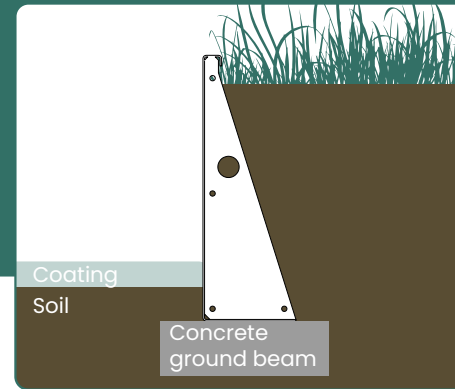
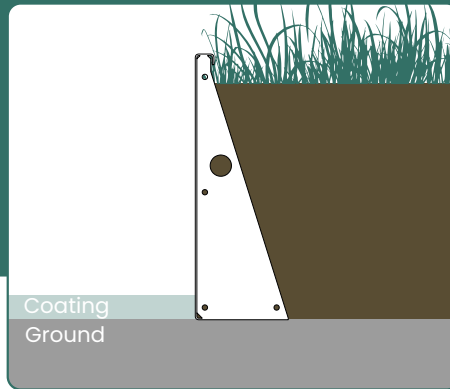
Sanded and activated corten steel



ASSEMBLY



INSTALLATION



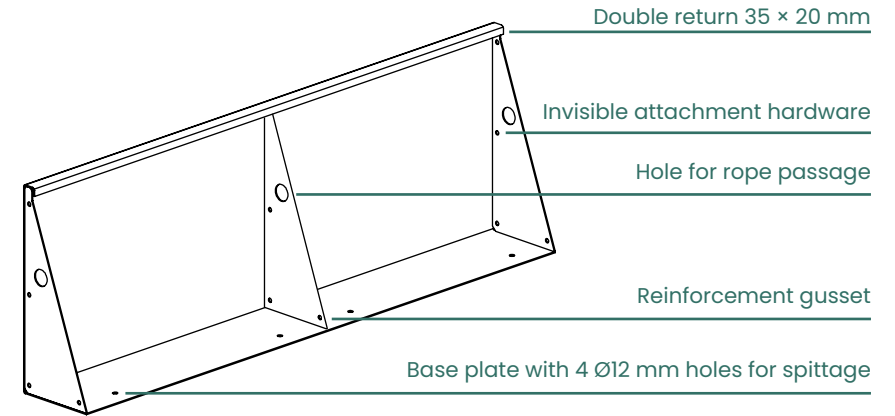
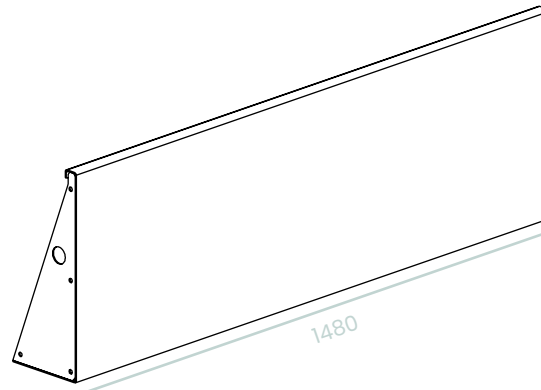
EXAMPLE OF A DESIGN

STRAIGHT KERB

1480 mm
LENGTH

BESPOKE
LENGTH

Standard length 1480 mm. Bespoke length between 10 mm and 1470 mm. Delivered as a whole. Assembly with hidden screws provided. Double return 50 × 30 mm for 4 and 5 mm thick sheets.



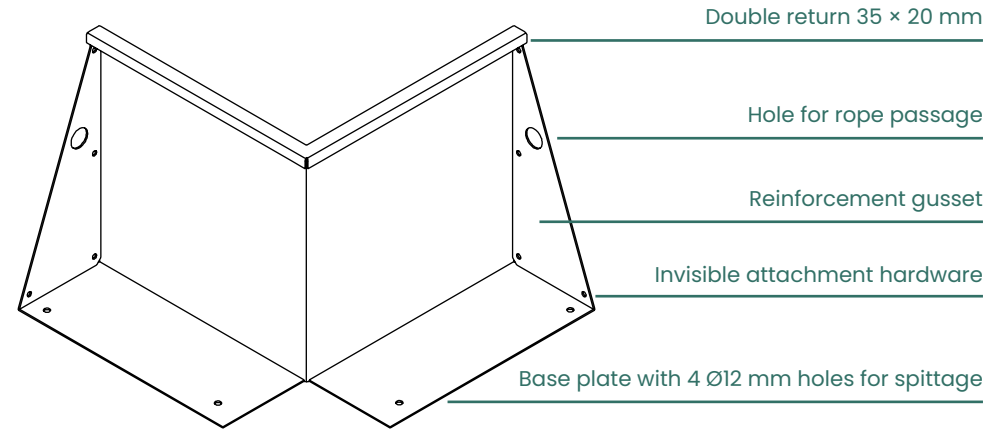
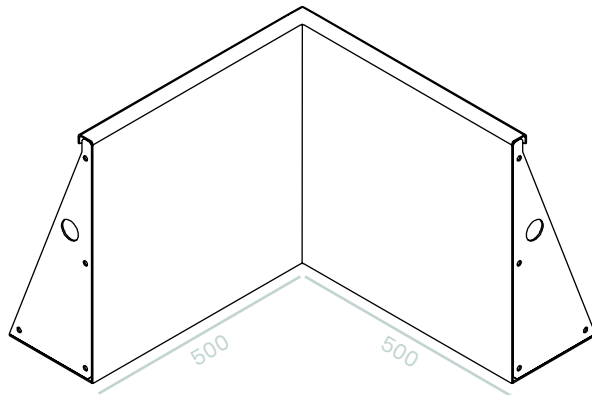
Height	Sole	Thickness		Raw aluminium		Powder-coated aluminium		Raw corten steel		Sanded and activated corten steel	
		Aluminium	Steel								
200	100	3	2	0298373	0298797	0298380	0298804	0298386	0298811	0298391	0298818
300	150	3	2	0298374	0298798	0298381	0298805	0298387	0298812	0298392	0298819
400	200	3	2	0298375	0298799	0298382	0298806	0298388	0298813	0298393	0298820
500	250	3	2	0298376	0298800	0298383	0298807	0282021	0298814	0278046	0298821
600	300	3	3	0298377	0298801	0298384	0298808	0298389	0298815	0298394	0298822
800	350	4	3	0298378	0298802	0298385	0298809	0298390	0298816	0298395	0298823
1000	420	5	3	0298379	0298803	0298386	0298810	0293358	0298817	0294340	0298824

INNER ANGLE

90°
ANGLE

BESPOKE
ANGLE

Dimension standard 500 x 500 mm. Delivered as a whole. Assembly with hidden screws provided. Base plate with 4 Ø12 mm holes for spittage. Double return 50 x 30 mm for 4 and 5 mm thick sheets.



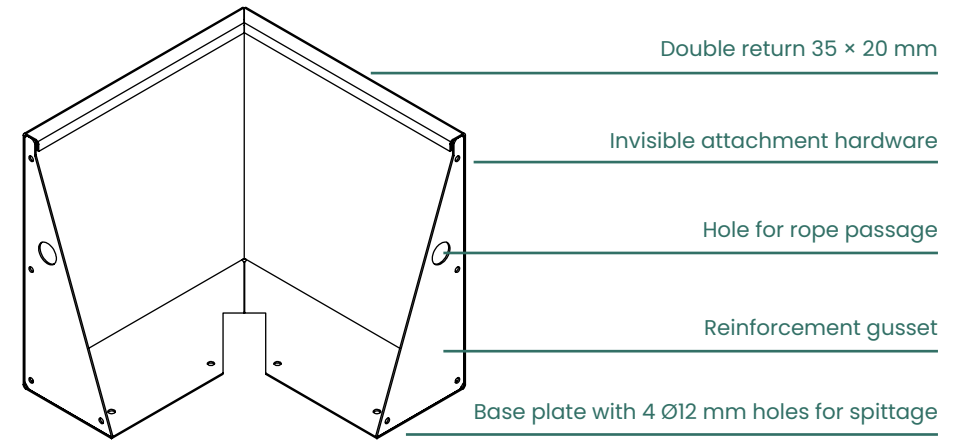
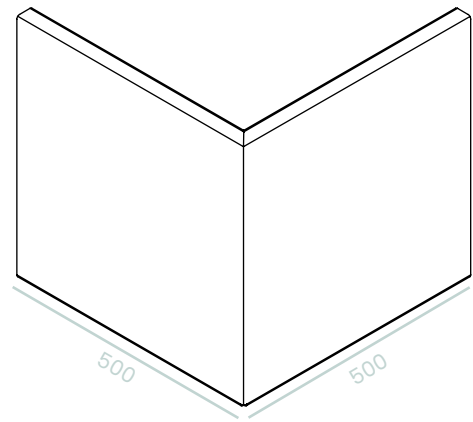
Height	Sole	Thickness		Raw aluminium		Powder-coated aluminium		Raw corten steel		Sanded and activated corten steel	
		Aluminium	Steel								
200	100	3	2	0298422	0299002	0298429	0299009	0298435	0299016	0298441	0299099
300	150	3	2	0298423	0299003	0298430	0299010	0298436	0299017	0298442	0299101
400	200	3	2	0298424	0299004	0298431	0299011	0298437	0299018	0298443	0299102
500	250	3	2	0298425	0299005	0298785	0299012	0292088	0299019	0298444	0299103
600	300	3	3	0298426	0299006	0298432	0299013	0298438	0299020	0298445	0299104
800	350	4	3	0298427	0299007	0298433	0299014	0298439	0299021	0298446	0299105
1000	420	5	3	0298428	0299008	0298434	0299015	0298440	0299022	0298447	0299106

OUTER ANGLE

90°
ANGLE

BESPOKE
ANGLE

Dimension standard 500 x 500 mm. Delivered as a whole. Assembly with hidden screws provided. Base plate with 4 Ø12 mm holes for spittage. Double return 50 x 30 mm for 4 and 5 mm thick sheets.



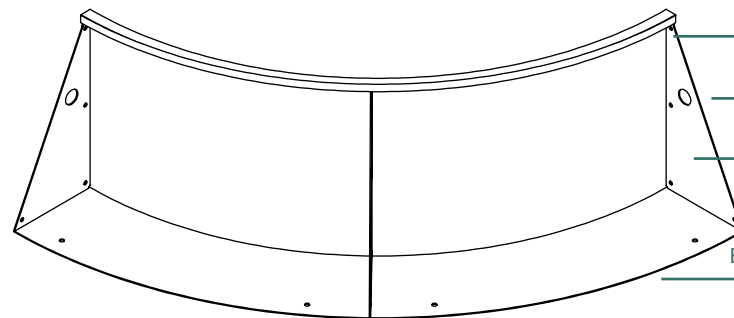
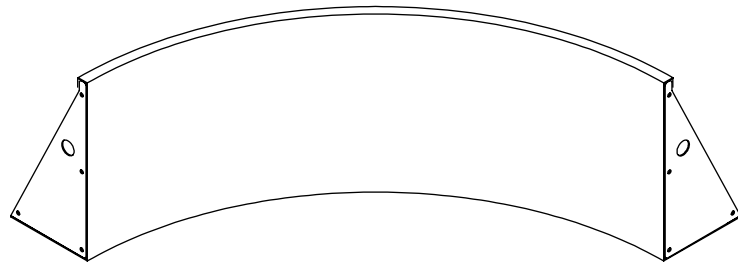
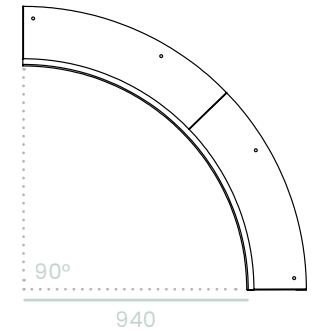
Height	Sole	Thickness		Raw aluminium		Powder-coated aluminium		Raw corten steel		Sanded and activated corten steel	
		Aluminium	Steel								
200	100	3	2	0298396	0298981	0298403	0298988	0298408	0298995	0298415	0299107
300	150	3	2	0298397	0298982	0298404	0298989	0298409	0298996	0298416	0299108
400	200	3	2	0298398	0298983	0298405	0298990	0298410	0298997	0298417	0299109
500	250	3	2	0298399	0298984	0294445	0298991	0298411	0298998	0298418	0299110
600	300	3	3	0298400	0298985	0298406	0298992	0298412	0298999	0298419	0299111
800	350	4	3	0298401	0298986	0298407	0298993	0298413	0299000	0298420	0299112
1000	420	5	3	0298402	0298987	0294446	0298994	0298414	0299001	0298421	0299113

ROUNDED INNER ANGLE

940 mm
RADIUS

BESPOKE
RADIUS

Standard radius 940 mm. Delivered as a whole. Assembly with hidden screws provided. Base plate with 4 Ø12 mm holes for spittage. Double return 50 × 30 mm for 4 and 5 mm thick sheets. Offered with single return, at a discount.



Double return 35 × 20 mm

Hole for rope passage

Reinforcement gusset

Invisible attachment hardware

Base plate with 4 Ø12 mm holes for spittage

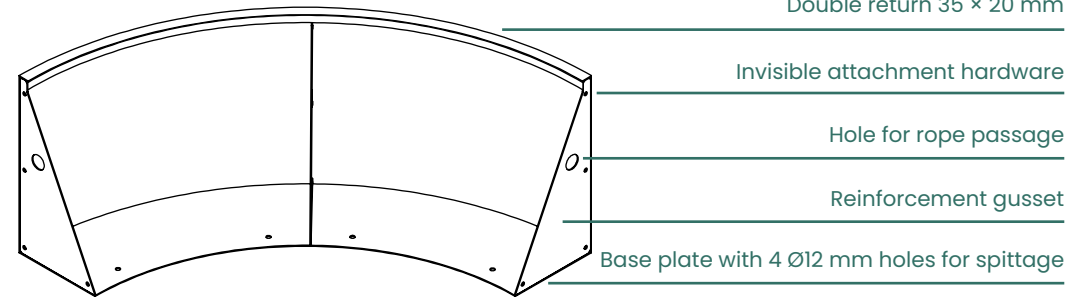
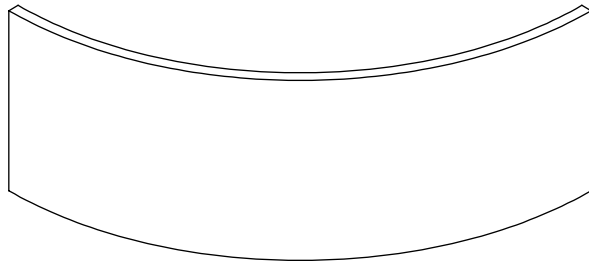
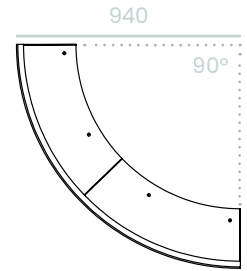
Height	Sole	Thickness		Raw aluminium		Powder-coated aluminium		Raw corten steel		Sanded and activated corten steel	
		Aluminium	Steel								
200	100	3	2	0298476	0299050	0298483	0299057	0298490	0299064	0298497	0299071
300	150	3	2	0298477	0299051	0298484	0299058	0298491	0299065	0298498	0299072
400	200	3	2	0298478	0299052	0298485	0299059	0298492	0299066	0298499	0299073
500	250	3	2	0298479	0299053	0298486	0299060	0298493	0299067	0298500	0299074
600	300	3	3	0298480	0299054	0298487	0299061	0298494	0299068	0298501	0299075
800	350	4	3	0298481	0299055	0298488	0299062	0298495	0299069	0298502	0299076
1000	420	5	3	0298482	0299056	0298489	0299063	0298496	0299070	0298503	0299077

ROUNDED OUTER ANGLE

940 mm
RADIUS

BESPOKE
RADIUS

Standard radius 940 mm. Delivered as a whole. Assembly with hidden screws provided. Base plate with 4 Ø12 mm holes for spittage. Double return 50 × 30 mm for 4 and 5 mm thick sheets. Offered with single return, at a discount.



Height	Sole	Thickness		Raw aluminium		Powder-coated aluminium		Raw corten steel		Sanded and activated corten steel	
		Aluminium	Steel								
200	100	3	2	0298448	0299023	0298455	0299030	0298462	0299037	0298469	0299044
300	150	3	2	0298449	0299024	0298456	0299031	0298463	0299038	0298470	0299045
400	200	3	2	0298450	0299025	0298457	0299032	0298464	0299039	0298471	0299046
500	250	3	2	0298451	0299026	0298458	0299033	0298465	0299040	0298472	0299047
600	300	3	3	0298452	0299027	0298459	0299034	0298466	0299041	0298473	0299048
800	350	4	3	0298453	0299028	0298460	0299035	0298467	0299042	0298474	0299049
1000	420	5	3	0298454	0299029	0298461	0299036	0298468	0299043	0298475	0298825

SEAT KERB

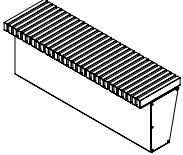
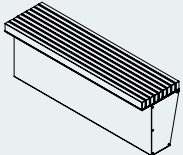
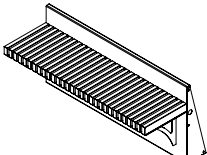
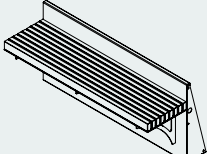
SLATS
WIDTHWISE

SLATS
LENGTHWISE

Seat depth 440 mm. Delivered pre-assembled, seat mounted on decking. Assembly with hidden screws provided. Base plate with 4 Ø12 mm holes for spittage. Slats available in wood: Robinia (70 x 35 mm), Moabi (70 x 35 mm), Bamboo (60 x 40 mm). Or in recycled plastic: gray or brown slats (57 x 43 mm) or speckled white panel.

STRAIGHT KERB

Standard length : 1480 mm.

Kerb height	Slat orientation	Slat material	Powder-coated aluminium	Raw corten steel	Sanded and activated corten steel
Up to 400 mm above ground		Robinia	0299078	0298826	0298827
		Moabi	0298636	0298639	0298642
		Bamboo	0298637	0298640	0298643
		Recycled plastic	0298638	0298641	0298644
		Robinia	0299079	0298828	0298829
		Moabi	0298645	0298648	0298651
		Bamboo	0298646	0298649	0298652
		Recycled plastic	0298647	0298650	0298653
Above 500 mm above ground (visible gussets)		Robinia	0298834	0299082	0298835
		Moabi	0298672	0298675	0298678
		Bamboo	0298673	0298676	0298679
		Recycled plastic	0298674	0298677	0298680
		Robinia	0298836	0299083	0298837
		Moabi	0298681	0298684	0298687
		Bamboo	0298682	0298685	0298688
		Recycled plastic	0298683	0298686	0298689

KERB ANGLE

Standard dimension : 500 x 980 mm

Kerb height	Slat orientation	Slat material	Powder-coated aluminium	Raw corten steel	Sanded and activated corten steel
Up to 400 mm above ground		Robinia	0298844	0299084	0298845
		Moabi	0298704	0299095	0298708
		Bamboo	0298705	0298707	0298709
		Recycled plastic	0298706	0299096	0298710
Above 500 mm above ground (visible gussets)		Robinia	0298838	0298839	0298840
		Moabi	0298690	0299097	0298694
		Bamboo	0298691	0298693	0298695
		Recycled plastic	0298692	0299098	0298696

ROUNDED KERB

Standard dimension : radius 940 mm

Kerb height	Slat orientation	Slat material	Powder-coated aluminium	Raw corten steel	Sanded and activated corten steel
Up to 400 mm above ground		Robinia	0299085	0298846	0298847
		Moabi	0298711	0299093	0298716
		Bamboo	0298712	0298714	0298717
		Recycled plastic	0298713	0298715	0298718
Above 500 mm above ground (visible gussets)		Robinia	0298850	0299087	0298851
		Moabi	0298727	0299094	0298732
		Bamboo	0298728	0298730	0298733
		Recycled plastic	0298729	0298731	0298734



PLANTER

PANEL WITH OR
WITHOUT BOTTOM



Powder-coated steel



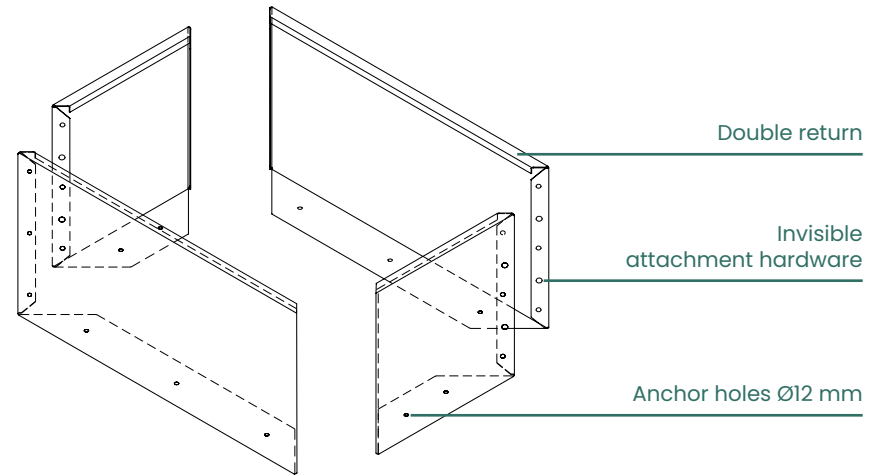
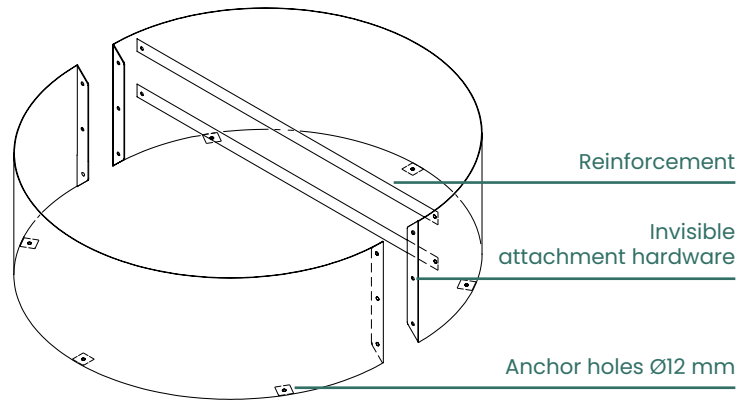
Raw corten steel



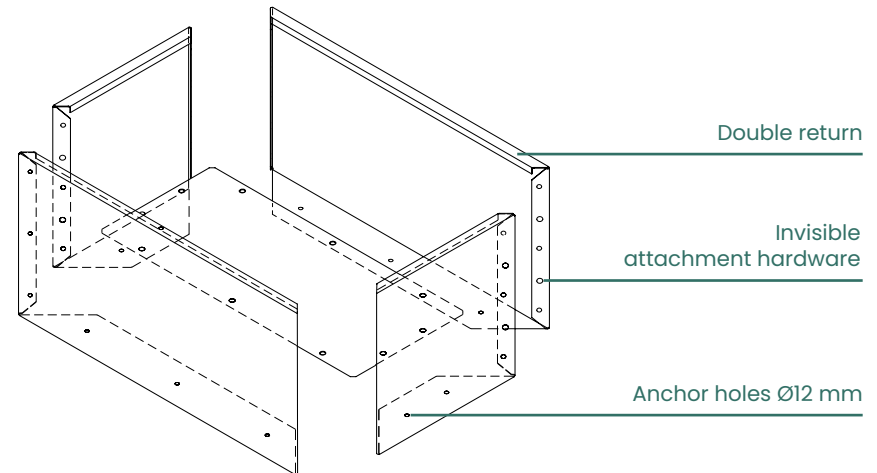
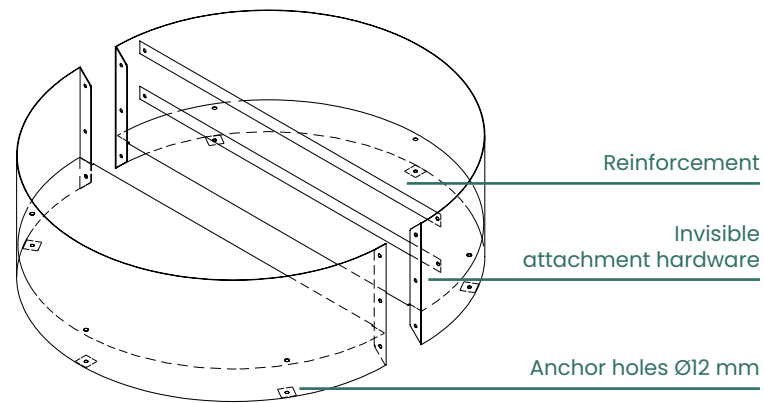
Sanded and activated corten steel



PLANTER WITHOUT ASSEMBLED BOTTOM



PLANTER WITH ASSEMBLED BOTTOM

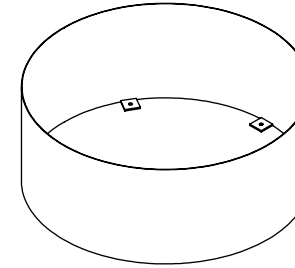


ROUND PLANTER

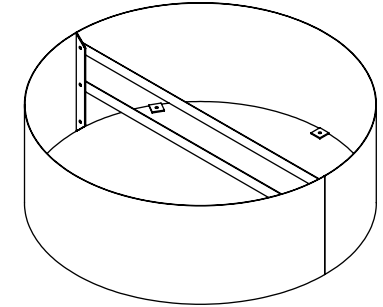
WITHOUT
BOTTOM

WITH
BOTTOM

Delivered unmounted. Assembly with hidden screws provided. Anchors pickets not provided.



Ø450 mm and Ø900 mm
en 1 piece



Ø1400 mm and Ø 1800 mm
en 2 pieces

Height	Diameter	Thickness	Powder-coated steel		Raw corten steel		Sanded and activated corten steel	
360	450	2	0293150	0293860	0293077	0293168	0293125	0293184
	900	2	0293154	0293864	0293097	0293172	0282367	0293188
	1400	2	0293158	0293868	0293105	0293176	0293133	0293205
	1800	2	0293162	0293872	0293108	0293180	0293137	0293209
480	450	2	0291516	0293861	0293079	0293169	0277029	0293185
	900	2	0292300	0293865	0293098	0293173	0276556	0293189
	1400	2	0293159	0290498	0281997	0293177	0293134	0293206
	1800	2	0293163	0293873	0293110	0293181	0293138	0293210
730	450	2	0293152	0293862	0293081	0293170	0293127	0293186
	900	2	0293156	0293866	0293100	0293174	0281812	0293190
	1400	2	0293160	0293870	0293106	0293178	0293135	0293207
	1800	2	0293164	0293874	0293123	0293182	0293139	0293211
980	450	2	0293153	0293863	0293083	0293171	0292302	0293187
	900	2	0286492	0293867	0293102	0293175	0293132	0293201
	1400	2	0293161	0293871	0293107	0293208	0293136	0293179
	1800	2	0293165	0293875	0293124	0293183	0293140	0293212

SQUARE PLANTER

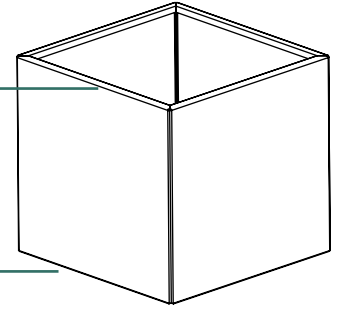
WITHOUT
BOTTOM

WITH
BOTTOM

Delivered unmounted. Assembly with hidden screws provided. Anchors pickets not provided.

Double return 35 × 20 mm

Sole 140 mm



Height	Width	Length	Thickness	Powder-coated steel		Raw corten steel		Sanded and activated corten steel	
500	500	500	2	0291954	0292185	0291924	0292170	0291939	0292155
	750	750	2	0291960	0292188	0291927	0292173	0291942	0292158
	1000	1000	3	0291962	0292191	0291930	0292161	0291945	0292176
	1250	1250	3	0291966	0292194	0291933	0292164	0291948	0292179
	1500	1500	3	0291969	0292197	0291936	0292182	0291951	0292167
700	500	500	2	0291955	0292186	0291925	0292156	0291940	0292171
	750	750	2	0291844	0292189	0291928	0292159	0291943	0292174
	1000	1000	3	0291964	0292192	0291931	0292162	0291946	0292177
	1250	1250	3	0291967	0292195	0291934	0292165	0291949	0292180
	1500	1500	3	0291970	0292204	0291937	0292168	0291952	0292183
1000	500	500	3	0291956	0292187	0291926	0292157	0291941	0292172
	750	750	3	0291961	0292190	0291929	0292160	0291944	0292175
	1000	1000	3	0291965	0292193	0291932	0292163	0291947	0292178
	1250	1250	3	0291968	0292196	0291935	0292166	0291950	0292181
	1500	1500	3	0291971	0292205	0291938	0292169	0291953	0292184

RECTANGULAR PLANTER

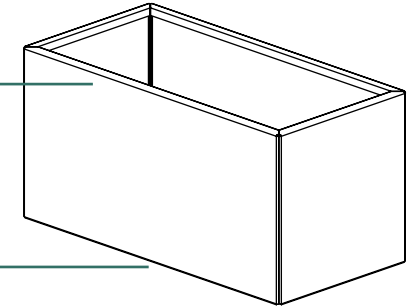
WITHOUT
BOTTOM

WITH
BOTTOM

Delivered unmounted. Assembly with hidden screws provided.
Anchors pickets not provided.

Double return 35 × 20 mm

Sole 140 mm



Height	Width	Length	Thickness	Powder-coated steel		Raw corten steel		Sanded and activated corten steel	
500	500	750	2	0292067	0292411	0292007	0292374	0292029	0292353
	500	1000	2	0292070	0292414	0292010	0292356	0292032	0292118
	500	1250	2	0292090	0292417	0292013	0292379	0292035	0292359
	500	1500	2	0292093	0292420	0292016	0292352	0292055	0292362
	750	1000	2	0292096	0292423	0292020	0292365	0292058	0292384
	750	1250	2	0292099	0292426	0292023	0292387	0292061	0292368
	750	1500	2	0292107	0292429	0292026	0292390	0292064	0292371
700	500	750	2	0292068	0292412	0292008	0292354	0292030	0292375
	500	1000	2	0292071	0292415	0292011	0292357	0292033	0292377
	500	1250	3	0292091	0292418	0292014	0292360	0292053	0292380
	500	1500	3	0292094	0292421	0292017	0292363	0292056	0292382
	750	1000	3	0292097	0292424	0292021	0292366	0292059	0292385
	750	1250	3	0292105	0292427	0292024	0292369	0292062	0292388
	750	1500	3	0292108	0292430	0292027	0292372	0292065	0292391
1000	500	750	3	0292069	0292413	0292009	0292355	0292031	0292376
	500	1000	3	0292072	0292416	0292012	0292358	0292034	0292378
	500	1250	3	0292092	0292419	0292015	0292361	0292054	0292381
	500	1500	3	0292095	0292422	0292018	0292364	0292057	0292383
	750	1000	3	0292098	0292425	0292022	0292367	0292060	0292386
	750	1250	3	0292106	0292428	0292025	0292370	0292063	0292389
	750	1500	3	0292109	0292431	0292028	0292373	0292066	0292392



PLANTER

WELDED
WITH BOTTOM



Powder-coated aluminium



Raw corten steel



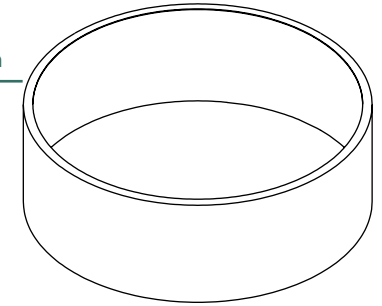
Sanded and activated corten steel



ROUND PLANTER

Welded planter with watertight bottom and overflow system. Delivered as a whole.

Simple return 35 × 20 mm

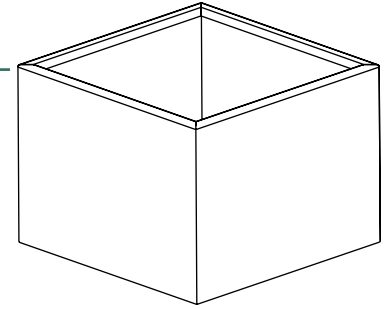


Height	Diameter	Thickness	Powder-coated aluminium	Raw corten steel	Sanded and activated corten steel
360	450	2	0294112	0294069	0294084
	900	2	0294114	0294073	0294088
	1400	2	0294117	0294077	0294104
	1800	2	0294120	0289384	0294108
480	450	2	0286642	0294070	0294085
	900	2	0294115	0294074	0294089
	1400	2	0288215	0294078	0294105
	1800	2	0294121	0294081	0294109
730	450	2	0286643	0294071	0294086
	900	2	0286644	0294075	0294090
	1400	2	0294118	0294079	0294106
	1800	2	0294122	0294082	0294110
980	450	2	0294113	0294087	0294072
	900	2	0294116	0294076	0294091
	1400	2	0294119	0294080	0294107
	1800	2	0294123	0294083	0294111

SQUARE PLANTER

Welded planter with watertight bottom and overflow system. Delivered as a whole.

Double return 35 × 20 mm

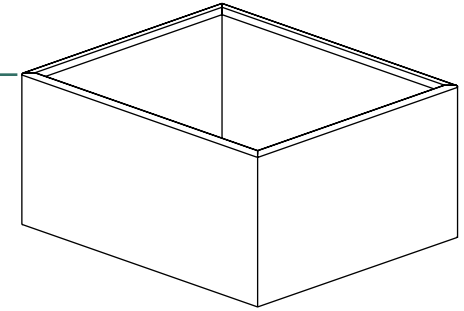


Height	Width	Length	Thickness	Powder-coated aluminium	Raw corten steel	Sanded and activated corten steel
500	500	500	2	0294017	0293877	0293986
	750	750	2	0294020	0293880	0293989
	1000	1000	3	0294023	0293883	0293992
	1250	1250	3	0298504	0298505	0298506
	1500	1500	3	0298507	0298508	0298509
700	500	500	2	0294018	0293878	0293987
	750	750	2	0294021	0293881	0293990
	1000	1000	3	0294024	0293884	0293993
	1250	1250	3	0298510	0298511	0298512
	1500	1500	3	0298513	0298514	0298515
1000	500	500	3	0294019	0293879	0293988
	750	750	3	0294022	0293882	0293991
	1000	1000	3	0294025	0293885	0293994
	1250	1250	3	0298516	0298517	0298518
	1500	1500	3	0298519	0298520	0298521

RECTANGULAR PLANTER




Welded planter with watertight bottom and overflow system.
Delivered as a whole.

Double return 35 × 20 mm



Height	Width	Length	Thickness	Powder-coated aluminium	Raw corten steel	Sanded and activated corten steel
500	500	750	2	0294026	0293924	0293995
	500	1000	2	0294029	0293927	0294003
	500	1250	2	0294032	0293977	0294006
	500	1500	2	0298522	0298523	0298524
	750	1000	2	0294035	0293980	0294009
	750	1250	2	0294038	0293983	0294012
	750	1500	2	0298525	0298526	0298527
700	500	750	2	0294027	0293925	0293996
	500	1000	2	0294030	0293928	0294004
	500	1250	3	0294033	0293978	0294007
	500	1500	3	0298528	0298529	0298530
	750	1000	3	0294036	0293981	0294010
	750	1250	3	0294039	0293984	0294013
	750	1500	3	0298531	0298532	0298533
1000	500	750	3	0294028	0293926	0294002
	500	1000	3	0294031	0293976	0294005
	500	1250	3	0294034	0293979	0294008
	500	1500	3	0298534	0298535	0298536
	750	1000	3	0294037	0293982	0294011
	750	1250	3	0294040	0293985	0294015
	750	1500	3	0298537	0298538	0298539

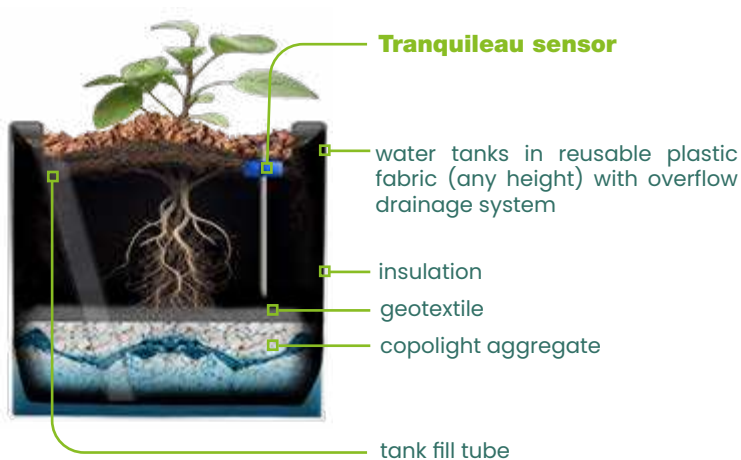
THE BENEFITS OF OUR WATER TANKS :

-  **Reduce watering frequency**
-  **Avoid unnecessary watering rounds**
-  **Save water**

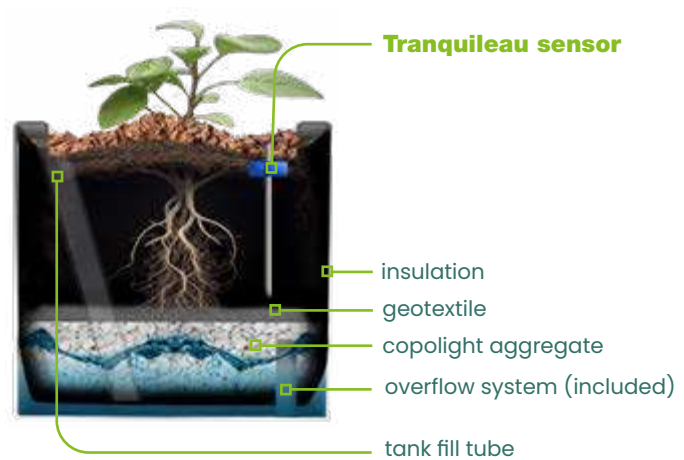
OPTION TRANQUILEAU SENSOR

Integrated sensor system for the planter substrate. It checks and assesses the water requirements of the roots using a tensiometer probe. A single system allows you to get feedback on a set of planter. This improves the plant's autonomy and resilience. This solution saves 50% of water used for watering.

OPTIONS TO CREATE YOUR WATER TANK IN A PANEL PLANTER



OPTIONS TO CREATE YOUR WATER TANK IN A WELDED PLANTER





POT

RECYCLABLE
PLASTIC



Standard colours	Signal Black	Anthracite Grey	Quartz Grey	Window Grey	Anissed Green	Textured colour
	Tele Magenta	Signal Violet	Blue Lilac	Pastel Blue	Traffic Blue	
	Traffic Red	Wine Red	Traffic Orange	Yellow Melon	Lemon Yellow	



Gal'b

Height	Length	Width	Substrate volume	Water volume	Weight	Standard colours	Textured colour
800	935	935	340 L	25 L	26 Kg	0161297	0161298
985	1151	1151	600 L	40 L	45 Kg	0161299	0161300
Planting liner with integrated water tank in black recycled plastic (lifting hooks upon request)							
641	660	660	160 L	21 L	10 Kg	0162571	
830	875	875	376 L	35 L	35 Kg	0162572	

Removable drainage grid, movable with pallet jack upon request



Amphor

Height	Diameter	Substrate volume	Water volume	Weight	Standard colours	Textured colour
800	500	78 L	6 L	7 Kg	0161288	0161289
1000	650	178 L	11 L	11 Kg	0161290	0161291
Planting liner with integrated water tank in black recycled plastic						
590	400	34 L	4 L	3 Kg	0161292	
885	560	110 L	8 L	6 Kg	0161294	

Removable drainage grid, screws provided to assemble the planting liner to the pot



Vase

Height	Diameter	Substrate volume	Water volume	Weight	Standard colours	Textured colour
770	650	111 L	4 L	10 Kg	0214412	0214413
990	850	282 L	13 L	19 Kg	0205708	0205709
1160	1040	495 L	20 L	25 Kg	0205710	0205711
1390	1240	930 L	30 L	30 Kg	0205712	0205713

Removable drainage grid



Extravase

Height	Diameter	Substrate volume	Water volume	Weight	Standard colours	Textured colour
400	400	23 L	/	3 Kg	0161265	0161264
600	600	81 L	8 L	5 Kg	0161266	0161267
800	800	210 L	15 L	13 Kg	0161268	0161269
1000	1000	426 L	24 L	23 Kg	0161270	0161271
1200	1200	755 L	35 L	31 Kg	0161272	0161273
1400	1400	1210 L	50 L	43 Kg	01612724	0161275

Removable drainage grid, except Ø400



Half Extravase

Height	Diameter	Substrate volume	Volume eau	Weight	Standard colours	Textured colour
400	400	11 L	/	2 Kg	0161276	0161277
600	600	37 L	3 L	4 Kg	0161278	0161279
800	800	99 L	6 L	11 Kg	0161280	0161281
1000	1000	204 L	10 L	17 Kg	0161282	0161283
1200	1200	262 L	14 L	23 Kg	0161284	0161285

Removable drainage grid, except Ø400



Saphir

Design	Height	Diameter	Substrate volume	Water volume	Weight	Standard colours	Textured colour
	800	1000	373 L	17 L	20 Kg	0242419	0242518
	1000	1250	747 L	23 L	28 Kg	0242511	0242515
	800	1000	361 L	29 L	20 Kg	0242520	0242522
	1000	1250	730 L	40 L	28 Kg	0242504	0242508

Removable drainage grid



Pila

Height	Diameter	Substrate volume	Weight	Standard colours	Textured colour
800	400	54 L	7 Kg	0203918	0203924
1000	500	113 L	9 Kg	0202290	0203922
1200	600	205 L	15 Kg	0201959	0203920
With basis (under the collar)					
800	400	54 L	7 Kg	0203883	0203923
1000	500	113 L	9 Kg	0202289	0203921
1200	600	205 L	15 Kg	0200368	0203919

Removable drainage grid



Rectiligne

Height	Length	Width	Substrate volume	Water volume	Weight	Standard colours	Textured colour
460	960	516	145 L	16 L	11 Kg	0205715	0161302

Removable drainage grid



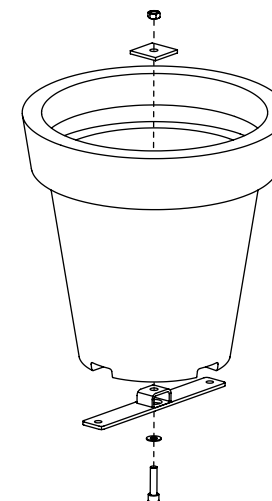
Quadri

Height	Length	Width	Substrate volume	Weight	Standard colours	Textured colour
560	670	670	200 L	13 Kg	0205714	0205715



Fixing base plate

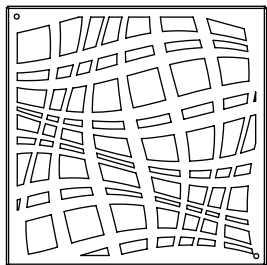
Option available for all planters except the Quadri pot. It is used to fix the planter to the ground, preventing it from toggling. It acts as a lock. It is highly recommended for sloping grounds but can be spitted only in non natural grounds. The screws to assemble the flower pot to the fixing base plate is included. But the screws for the ground have to be adapted to the type of the soil. This is not included. Each fixing base plate is made with 2 holes Ø11 mm.



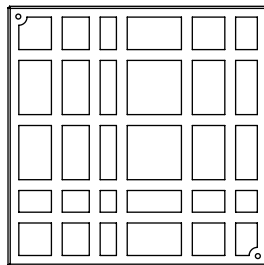


ART TRELLIS

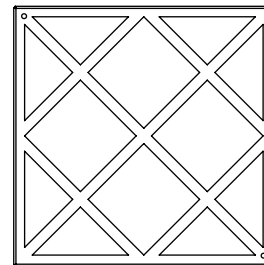
A-Linéa



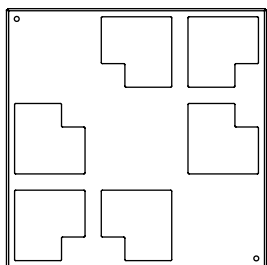
C-Natura



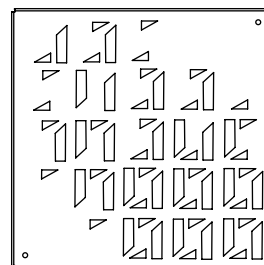
Dualis



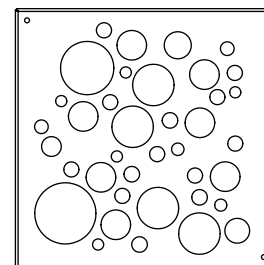
Hedera



Origami



Square

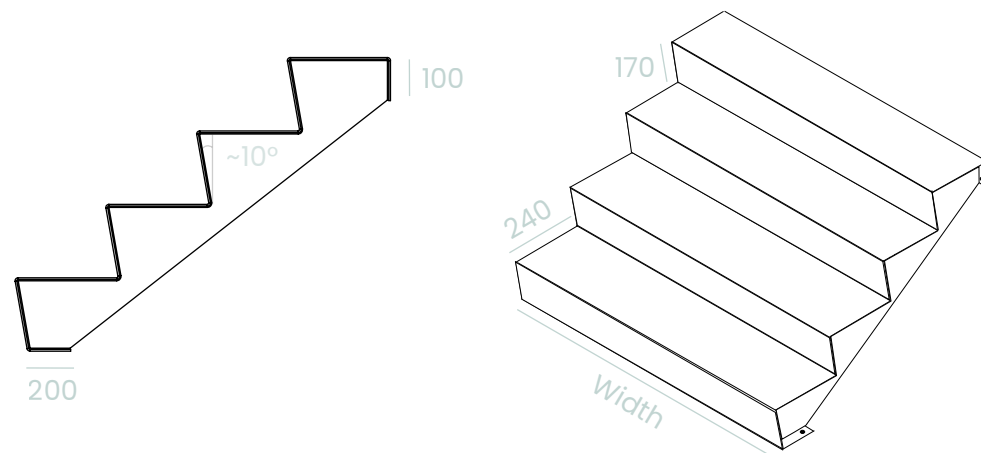


Length	Width	Range	Powder-coated steel
480	480	A-LINÉA	0200967
480	480	C-NATURA	0200968
480	480	DUALIS	0200969
480	480	HEDERA	0200970
480	480	ORIGAMI	0240061
480	480	SQUARE	0225749

2 mm thick steel structure, anti-corrosion treated.
 Ø9 mm holes. Assembly with hidden screws, not provided.



STAIRS

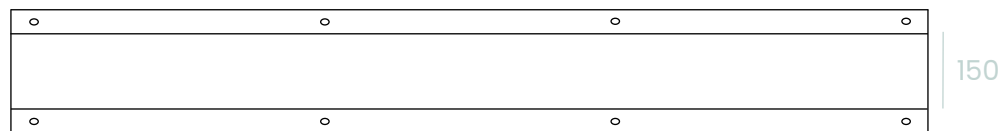
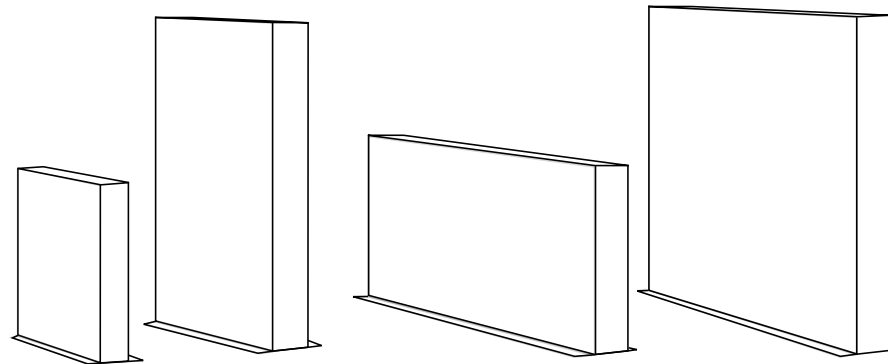


Height	Width	Depth	Thickness	Sanded and activated corten steel
340 2 steps	1000	480	4	0298540
	1500	480	4	0266929
	2000	480	4	0298541
680 4 steps	1000	960	4	0298542
	1500	960	4	0298543
	2000	960	4	0298544
1020 6 steps	1000	1440	4	0298545
	1500	1440	4	0298546
	2000	1440	4	0298547

Upper sole 100 mm and bottom sole 200 mm, with 12 Ø16 mm holes for spittage.
 Assembly with hidden screws, not provided. Delivered as a whole.



WALL



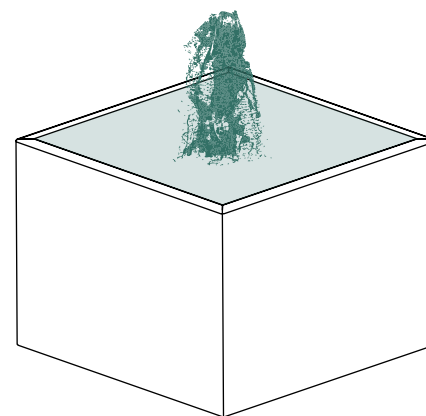
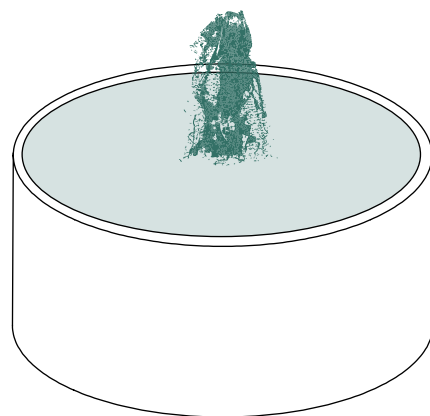
Bottom view

Height	Length	Thickness		Powder-coated aluminium	Sanded and activated corten steel
		Aluminium	Steel		
750	980	3	2	0298552	0298548
	2500	3	2	0298553	0298549
1250	980	3	2	0298554	0298550
	2500	3	2	0298555	0298551

Sole 50 mm with 8 Ø12 mm holes for spittage. Assembly with hidden screws, not provided. Delivered as a whole.



WATER TABLE



ROUND

Height	Diameter	Powder-coated aluminium	Sanded and activated corten steel
480	Ø1400	0298556	0290012
730	Ø1400	0293551	0296013

SQUARE

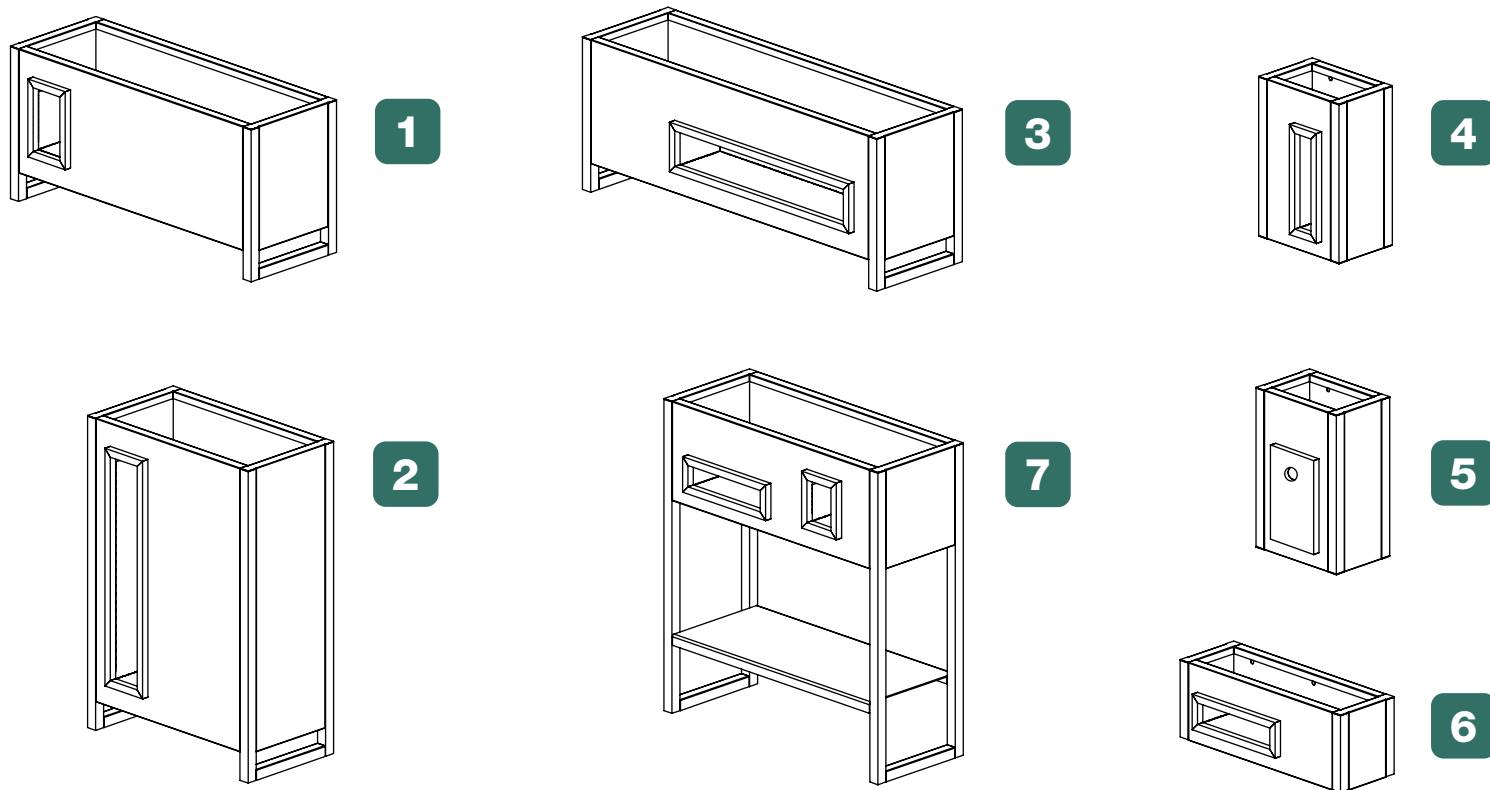
Height	Length	Width	Powder-coated aluminium	Sanded and activated corten steel
480	850	850	0277762	0294451

Aluminum or steel structure, 3 mm thick. LED lighting (white light) and pump provided (closed circuit). Need a singlephase socket 220 V to make the pump work. Water tank must be filled up to the lid. Interior corrosion protection. Must simply be placed, delivered mounted and fully equipped.



GAIÀ

Design : Jérôme Boissière



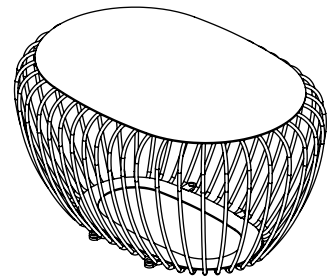
Furniture	N°	Length	Width	Height	Without niche	With niche
Elevated planter	1	900	320	430	0299175	0289290
	2	600	320	880	0299176	0289291
	3	1100	320	430	0299177	0289287
	7	800	320	880	0299178	0293121
Wall planter	4	320	220	450	0299179	0293119
	5	320	220	450	0299179	0293120
	6	600	220	220	0299180	0289295

Steel structure, 3 mm thick, anti-corrosion treated and powder-coated in any RAL color. Raw Robinia wooden insert. Pre-filled insect hotel included. Water reservoir in recycled plastic liner. Suitable for floor or wall installation. Screws are not provided.

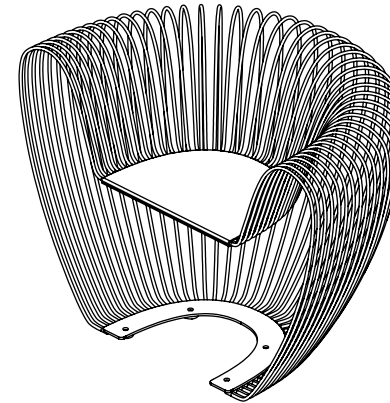


BUBBLE

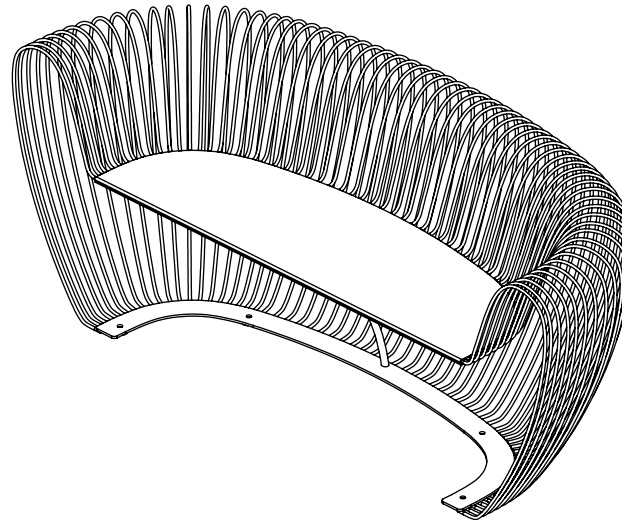
Design : OUTSIGN



1



2



3

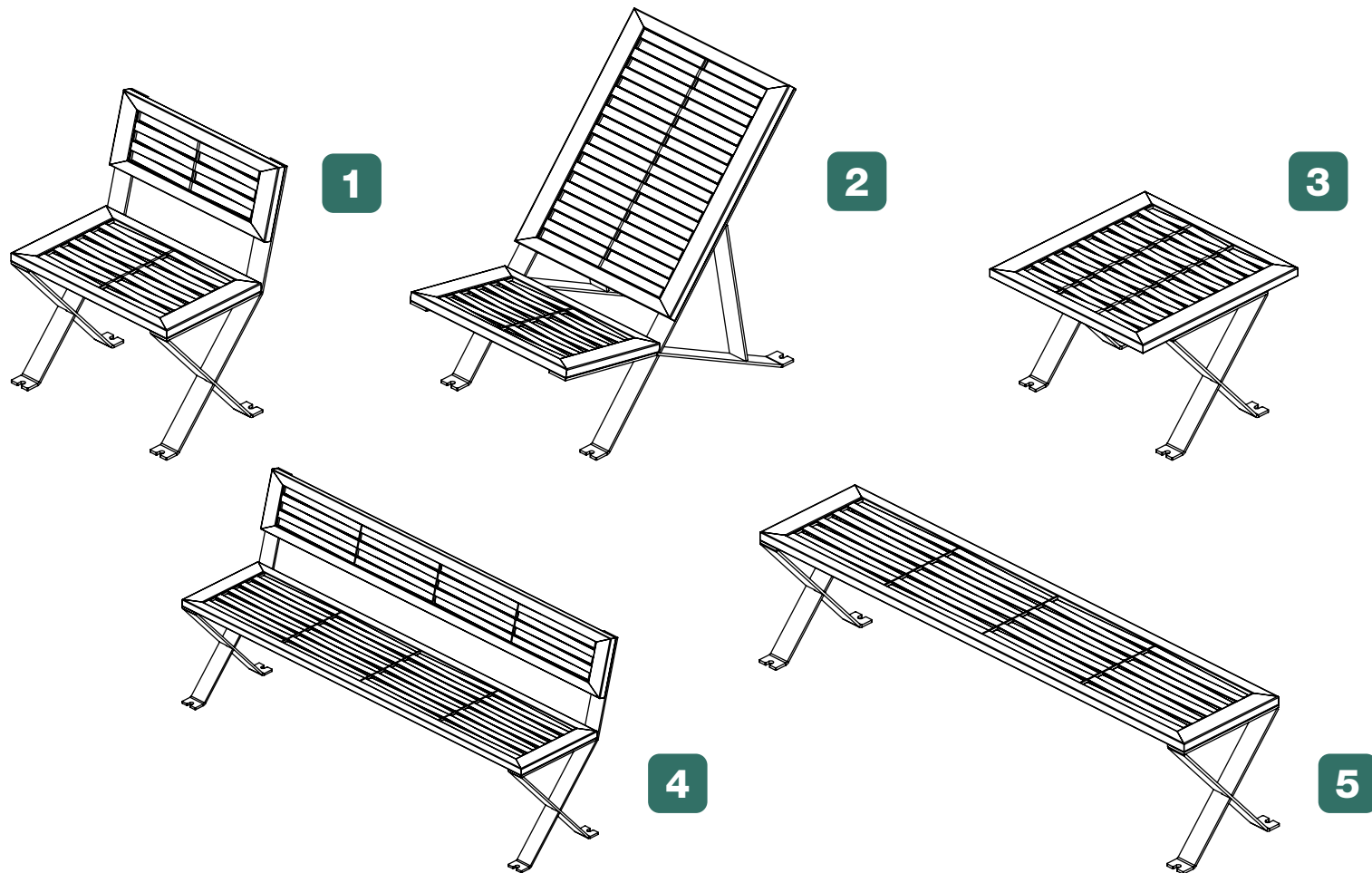
Furniture	N°	Length	Width	Height	
Coffee table	1	785	570	400	0295676
Armchair	2	1050	640	740	0295677
Sofa	3	1900	700	740	0295678

Bent stainless steel rod (Ø8 mm) with 3 mm stainless steel seat and 6 mm base plate. Powder-coated in any RAL color. Supplied fully assembled. Fix to floor with screws not provided.



TRECCIA

Design : OUTSIGN



Furniture	N°	Length	Width	Height	Without armrests	With armrests
Armchair	1	660	400	820	0295679	0295680
Deck chair	2	660	980	960	0295681	/
Coffe table	3	650	600	450	0295682	/
Bench	4	1800	400	820	0295683	0295684
Backless bench	5	1800	400	450	0295685	/

Steel flat legs (8 mm), galvanized structure, Powder-coated in any RAL color. Seat and backrest in woven steel flats, cataphoresis treated and polyurethane coated, in any RAL color. Delivered unassembled. Fix to floor with screws not provided.

Our design office stays at your disposal for bespoke products :

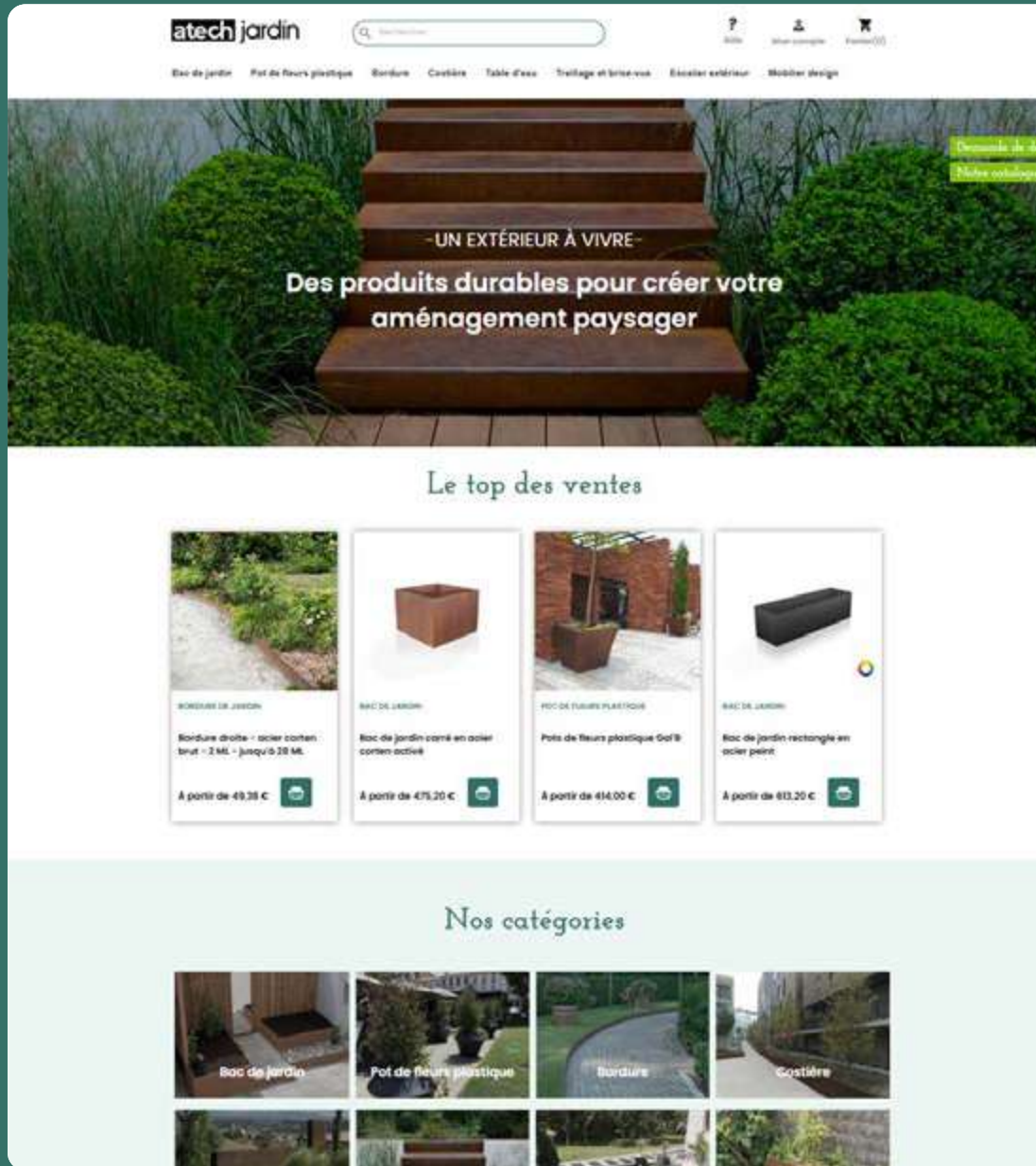




BESPOKE

ORDER

www.atech-jardin.fr



Non-French speakers can email us directly at info@atech-jardin.fr

Scan to visit our website :



Tell us about your project !

Contact our customer service :

Tel. : +33 (0)2 41 63 74 85

Mail : info@atech-jardin.fr



Atech Jardin

ZI de l'Appentière
49280 Mazières-en-Mauges
France



Follow us on social media and discover our work !



This catalogue was printed on recycled paper by a local printer
to reduce our environmental impact : l'Écrivain public - Novembre 2025

