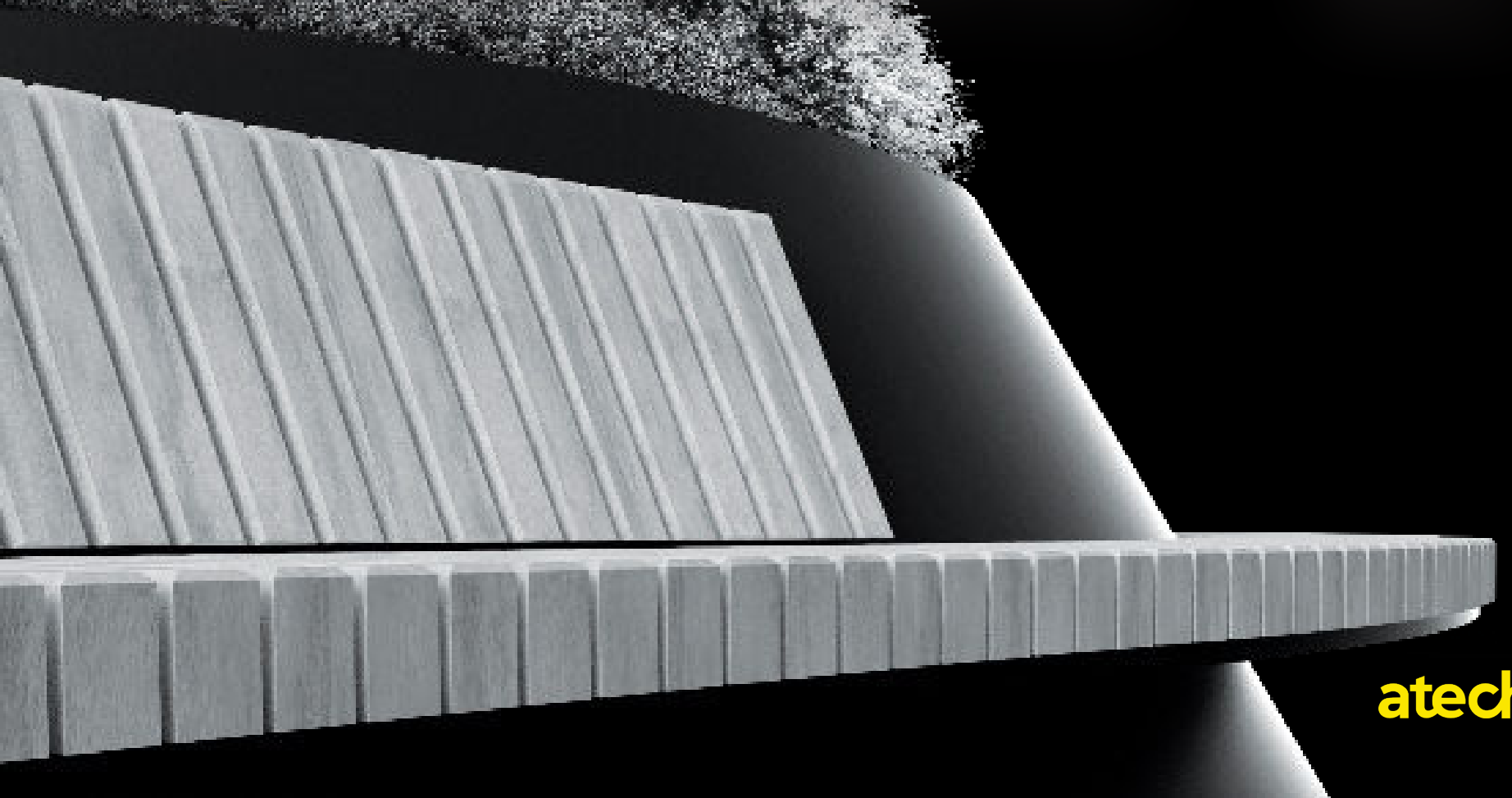


OLYMPIE



atech

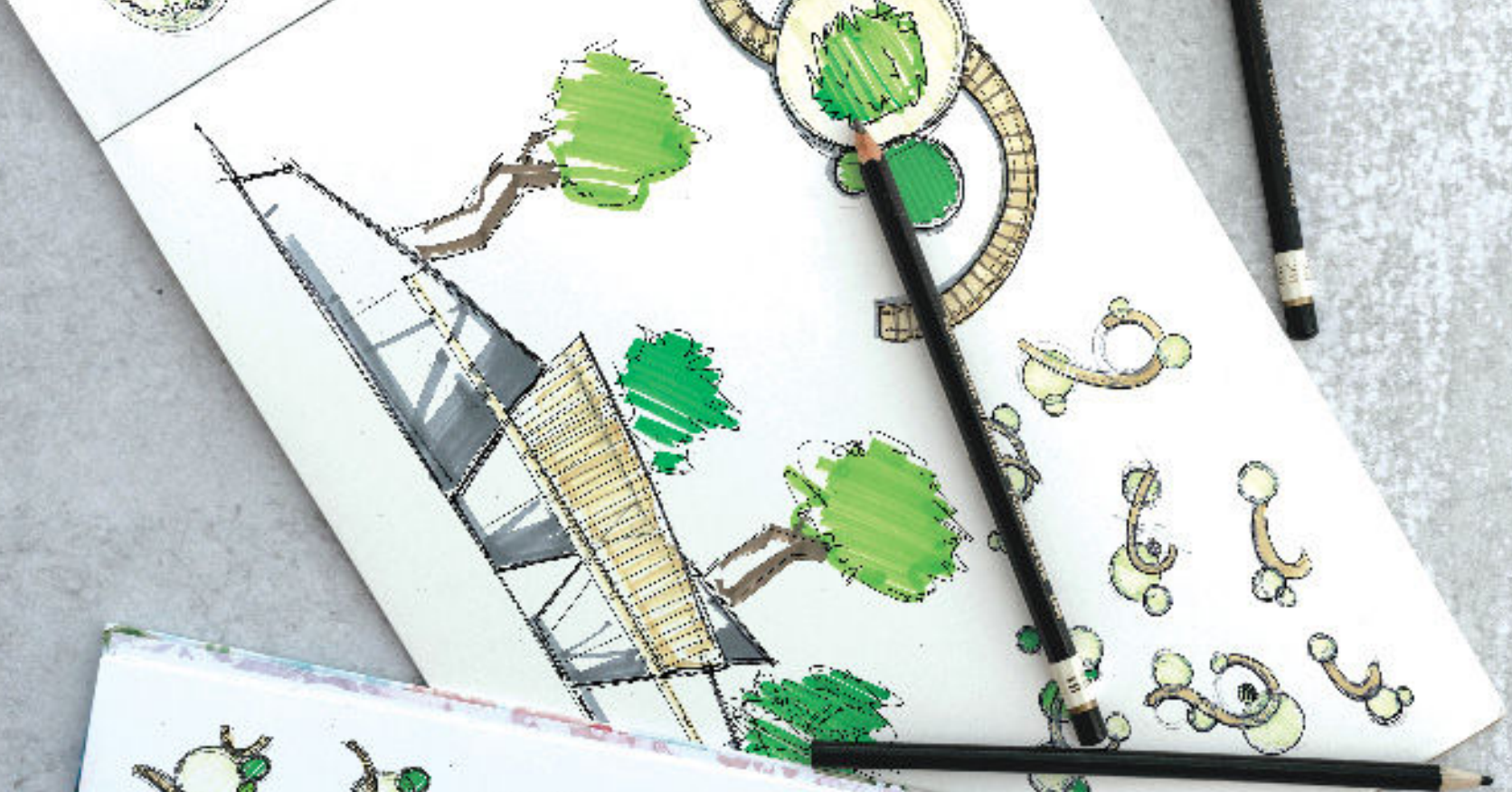


TABLE OF CONTENTS

PRESENTATION	4
TECHNICAL DATAS	6
LAYOUTS	10
SCENARIO	12
OPTIONS	14
REGISTERED DESIGN	18

OLYMPE

THE URBAN OASIS

In an environmental alarming context where cities put biodiversity at the centre of concerns, Olympe turns out to be the ideal solution to promote nature in urban areas.

Its big planters will allow to receive a real ecosystem on these artificial spaces. Its seats, which seems to float, will delight city dwellers who can rest on it. They will enjoy the brought shading and freshness. Simultaneously beneficial for the environment and aesthetic, Olympe will become a staple element of the city.

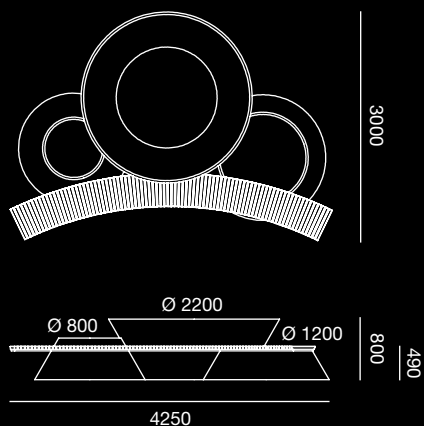






1

BACKLESS BENCH



Substrate volume | 580 l. - 650 l. - 2000 l.

Tare weight | 500 kg

Materials & Finishes | Steel structure th. 2 mm anti-corrosion treatment and hot-lacquered, RAL colors of your choices, slats in FSC-PEFC wood

Fixing | To put on the ground

Model | Association possibility with Olympe ②

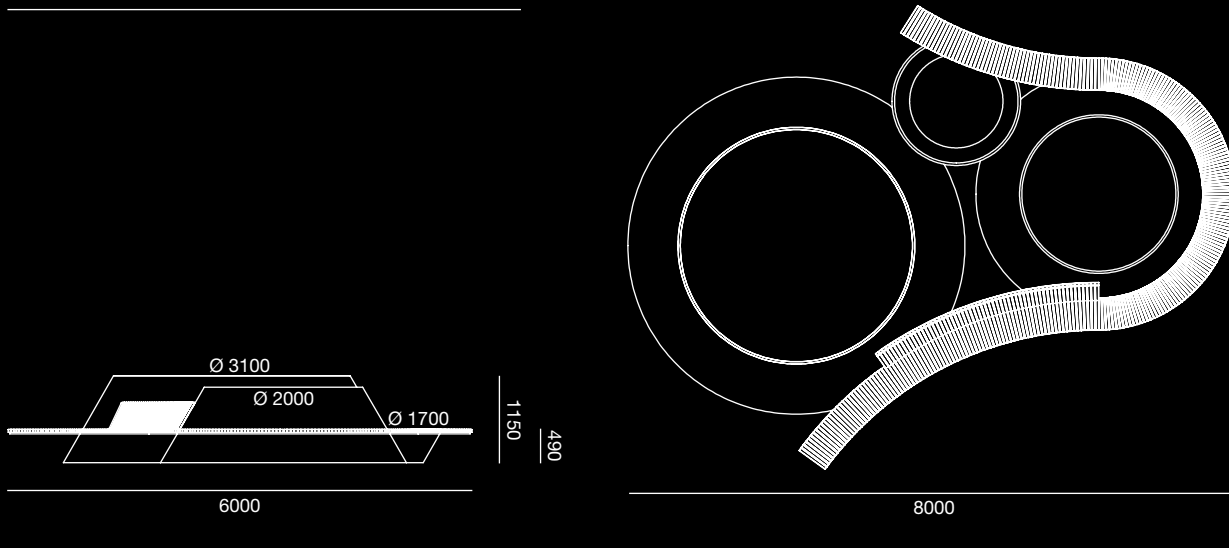
Options | Shelf, light version, fogging, corolla

Variants | Planters in corten steel or stainless steel, bottomless



2

BENCH



Substrate volume | 680 l. - 5700 l. - 13000 l.

Tare weight | 1 400 kg

Materials & Finishes | Steel structure th. 3 mm anti-corrosion treatment and hot-lacquered, RAL colors of your choices, slats in FSC-PEFC wood

Fixing | To put on the ground

Model | Association possibility with Olympe ①

Options | Shelf, fogging, corolla

Variants | Planters in corten steel or stainless steel, bottomless

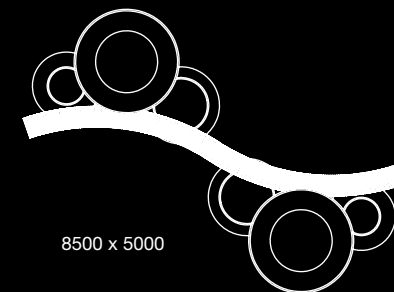
OLYMPE

LAYOUT SOLUTION

The modules of Olympe range, single or accompanied, will allow to adorn spaces deprived of vegetation. The different combinations will landscape a unique urban garden.



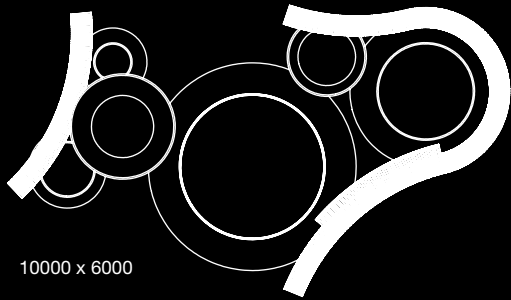
A
1 - 1



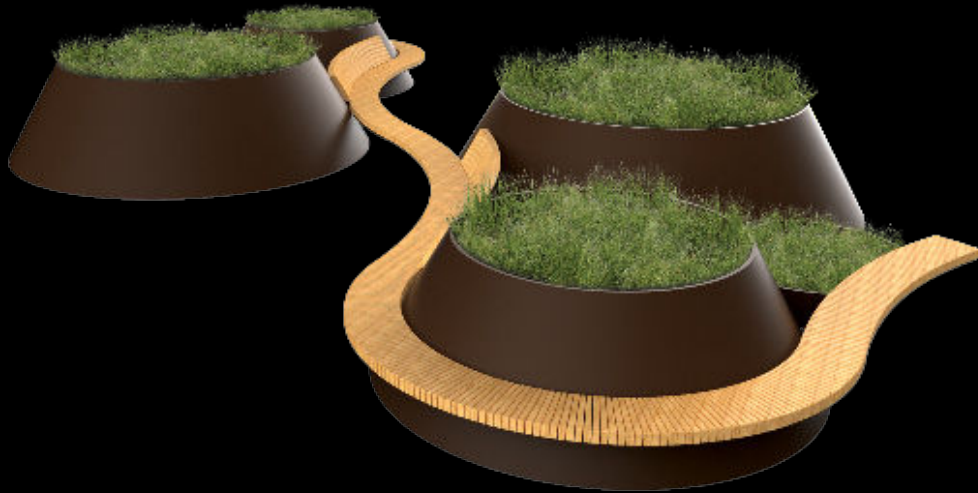
8500 x 5000

B

1 - 2

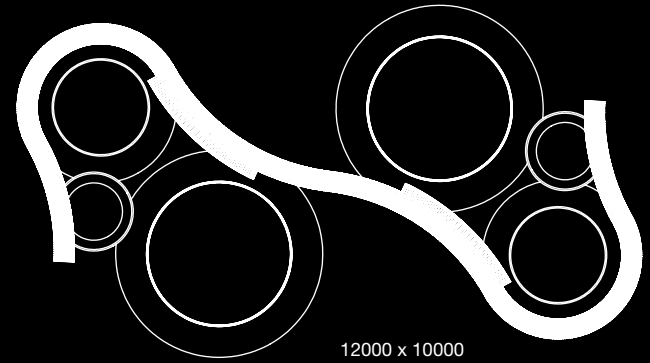


10000 x 6000



C

2 - 2



12000 x 10000

OLYMPE

BIODIVERSITY SUPPORT

More than street furniture, Olympe is a space where human and nature will coexist, an experience which will awake senses. This unique layout will allow users to rest, to eat, to discuss. Thanks to its big planters, it will receive a dense and luxurious vegetation, optimal for a lot of animal species. The users will then can observe nature blooming during the whole year.

COMBINATION B



FLOWERS





FRUITS



A local and diversified vegetation must be favoured to help different insect species, birds and little mammals. During the beautiful season, insects will can feed with flowers and contribute to pollination. Tall weeds and twigs will serve as materials for birds' nests and constitute plentiful shelters for insects. The latter will be the delight of birds which will feed their babies with it. During winter, birds will feed themselves with fallen seeds, insects will hibernate under plants and the micro fauna of the soil will decompose dead leaves. Regarding human, he will ensure the management and balance of this urban oasis.

OLYMPE

ADAPT ITSELF TO YOUR PROJECTS

COMPLEMENT EXISTING



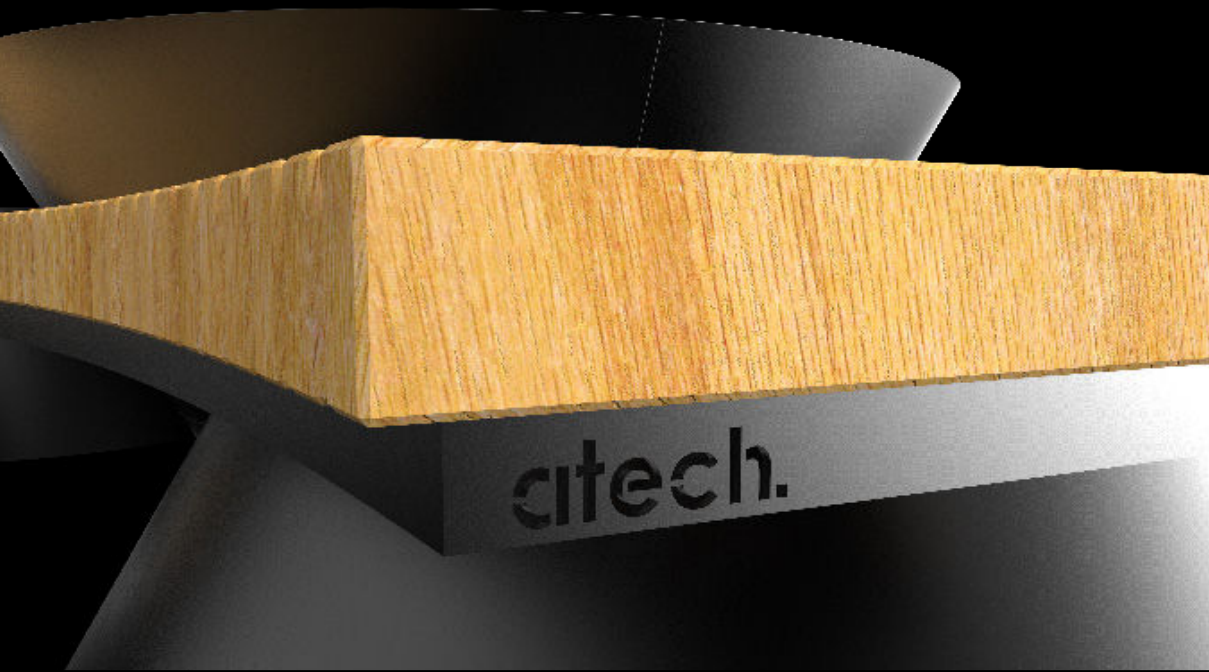


REFRESH THE SPACE

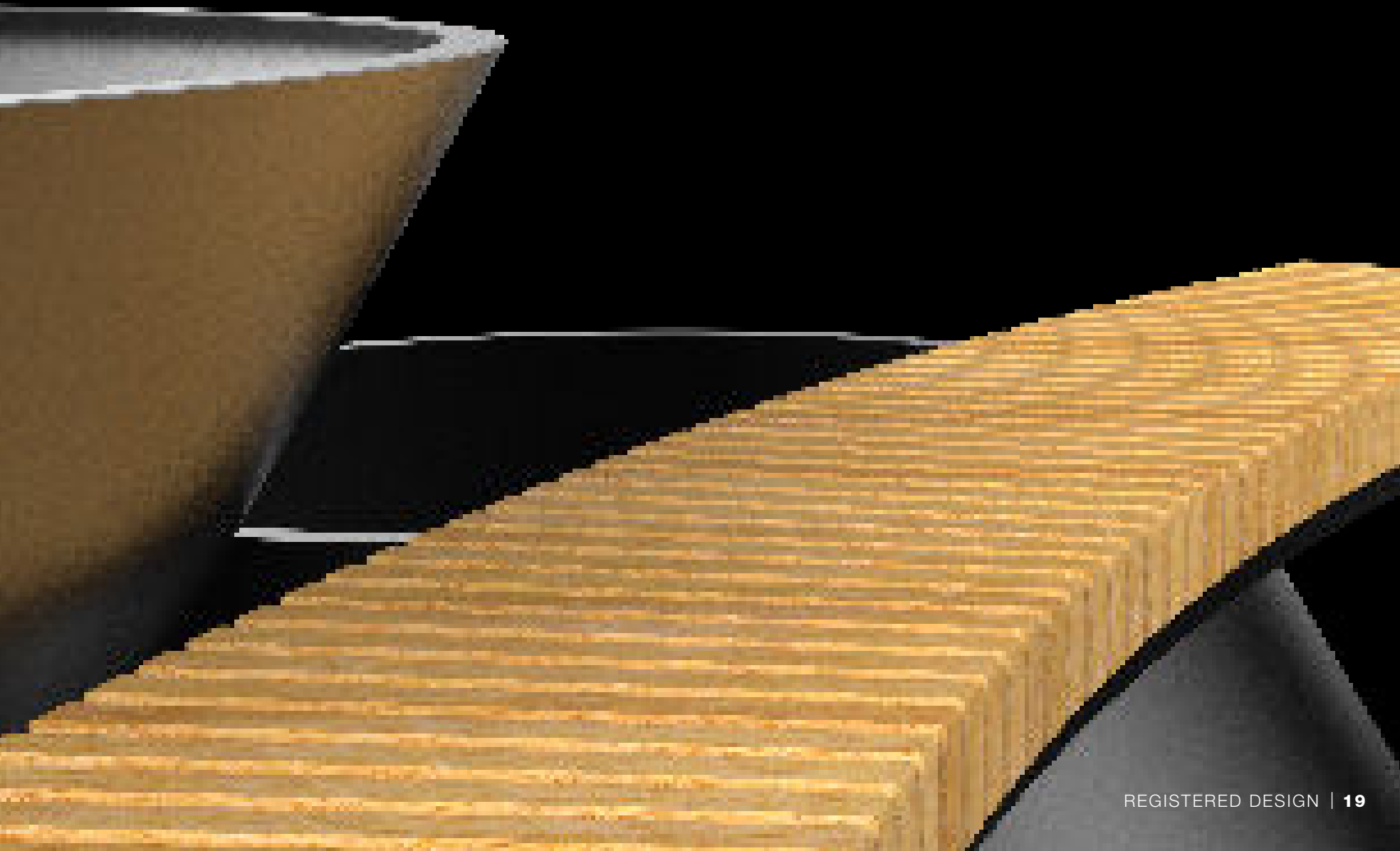


VEGETAL CANOPY





Non-binding document. Atech reserves the right to update whenever needed, without notice, its creations.
Any reproduction without our prior agreement is forbidden.



atech

www.atech-sas.com